

Extension module - PLC-V8C/PT-24DC/EM - 2905137

Please be informed that the data shown in this PDF Document is generated from our Online Catalog. Please find the complete data in the user's documentation. Our General Terms of Use for Downloads are valid (<http://download.phoenixcontact.com>)



PLC logic extension logic module with 16 I/Os for plug-in connection to 8 PLC-INTERFACE terminal blocks for extending the basic module (a maximum of two extension modules can be connected to a basic module), push-in connection

Key commercial data

package_quantity	1
GTIN	4046356919487

Technical data

Note

Utilization restriction	EMC: class A product, see manufacturer's declaration in the download area
-------------------------	---

Power supply

Supply voltage	24 V DC
Supply voltage range	19.2 V DC ... 26.4 V DC
Maximum input current at U_N	65 mA
Protective circuit	Reverse polarity protection
Protective circuit	Surge protection
Status display	Green LED

Input data (digital)

Number of inputs	8 (2 configurable as analog)
Description of the input	EN 61131-2, type 3
Input voltage	24 V DC
Signal level "0" signal	< 5 V
Signal level "1" signal	> 11 V
Input current "0" signal	< 1 mA
Input current "1" signal	typ. 2.5 mA
Status display	Yellow LED

Input data (analog)

Number of inputs	2 (IN6 and IN7 are configurable as analog)
Input voltage range	0 V ... 10 V
Input resistance	> 3.5 kΩ

Input data (PLC-INTERFACE)

Extension module - PLC-V8C/PT-24DC/EM - 2905137

Technical data

Input data (PLC-INTERFACE)

Number of inputs	≤ 8
Description of the input	technical data depends on the PLC used
Input voltage	19 V DC
Typical current consumption	4 mA
Input resistance	< 100 mΩ

Output data

Number of outputs	≤ 8
Nominal output voltage	24 V DC
Nominal current	9 mA

General

Color	green
Mounting position	any
Assembly instructions	Can be plugged onto 8 x PLC-INTERFACE
Operating mode	100% operating factor
Degree of protection	IP20

Connection data (supply and digital inputs)

Connection method	Push-in connection
Stripping length	9 mm
Conductor cross section solid	0.14 mm ² ... 1.5 mm ²
Conductor cross section flexible	0.14 mm ² ... 1.5 mm ²
Conductor cross section flexible	0.25 mm ² ... 0.5 mm ² (Ferrule with plastic sleeve)
Conductor cross section flexible	0.25 mm ² ... 1.5 mm ² (Ferrules without plastic sleeve)
Conductor cross section AWG	26 ... 16
Number of connections	1
Number of positions	10
Note	Device supply and 8 x inputs

Connection data (PLC V8C bus)

Connection method	Insulation displacement connection
Number of connections	1
Number of positions	4

Ambient conditions

Ambient temperature (operation)	-20 °C ... 45 °C
Ambient temperature (storage/transport)	-20 °C ... 70 °C
Max. permissible relative humidity (operation)	95 %

Dimensions

Width	50 mm
Height	111 mm
Depth	87 mm

Extension module - PLC-V8C/PT-24DC/EM - 2905137

Technical data

Standards and Regulations

Designation	Air clearances and creepage distances between the power circuits
Standards/regulations	DIN EN 50178
Rated insulation voltage	50 V
Rated surge voltage	0.8 kV
Insulation	Basic insulation
Degree of pollution	2
Overvoltage category	III
Conformance	CE-compliant

Environmental Product Compliance

China RoHS	Environmentally Friendly Use Period = 50
China RoHS	For details about hazardous substances go to tab "Downloads", Category "Manufacturer's declaration"

Classifications

eCl@ss

eCl@ss 4.0	27242216
eCl@ss 4.1	27242216
eCl@ss 5.0	27242216
eCl@ss 5.1	27242216
eCl@ss 6.0	27242216
eCl@ss 7.0	27242216
eCl@ss 8.0	27242216
eCl@ss 9.0	27242216

ETIM

ETIM 2.0	EC001417
ETIM 3.0	EC001417
ETIM 4.0	EC001417
ETIM 5.0	EC001417
ETIM 6.0	EC001417


UNSPSC

UNSPSC 13.2	39122329
--------------------	----------

Approvals

UL Listed / cUL Listed / EAC / cULus Listed /

Approval details

UL Listed 
--

Extension module - PLC-V8C/PT-24DC/EM - 2905137

Approvals

cUL Listed 

EAC 

cULus Listed 

Accessories

Terminal marking

ZBF 19,7:UNBEDRUCKT - 0810627



Labeled terminal marker

ZBF 19,7 CUS - 0825021



Screwdriver tools

SZS 0,4X2,5 VDE - 1205037



Relay Module

Extension module - PLC-V8C/PT-24DC/EM - 2905137

Accessories

PLC-RPT- 24DC/21 - 2900299



PLC-RPT- 24DC/21AU - 2900306



PLC-RPT- 24DC/ 1/ACT - 2900312



PLC-RPT- 24UC/ 1/S/H - 2900328



PLC-RSC- 24DC/21 - 2966171



PLC-RSC- 24DC/21AU - 2966265



Extension module - PLC-V8C/PT-24DC/EM - 2905137

Accessories

PLC-RSC- 24UC/ 1/S/H - 2982236



PLC-RPT- 24DC/ 1AU/SEN - 2900313



PLC-RPT-120UC/ 1AU/SEN - 2900314



PLC-RPT-230UC/ 1AU/SEN - 2900315



PLC-RSC- 24DC/ 1AU/SEN - 2966317



Extension module - PLC-V8C/PT-24DC/EM - 2905137

Accessories

PLC-RSC-120UC/ 1AU/SEN - 2966320



PLC-RSC-230UC/ 1AU/SEN - 2966333



Solid-state relay module

PLC-OPT- 24DC/ 48DC/100 - 2900352



PLC-OPT- 24DC/ 24DC/2 - 2900364



PLC-OPT- 24DC/230AC/1 - 2900369



Extension module - PLC-V8C/PT-24DC/EM - 2905137

Accessories

PLC-OPT- 24DC/ 24DC/2/ACT - 2900376



PLC-OPT- 24DC/300DC/1 - 2900383



PLC-OPT- 24DC/ 24DC/10/R - 2900398



PLC-OPT- 24DC/ 48DC/500/W - 2900378



PLC-OPT- 24DC/TTL - 2900363



PLC-OSC- 24DC/ 48DC/100 - 2966728



Extension module - PLC-V8C/PT-24DC/EM - 2905137

Accessories

PLC-OSC- 24DC/ 24DC/ 2 - 2966634



PLC-OSC- 24DC/230AC/ 1 - 2967840



PLC-OSC- 24DC/ 24DC/ 2/ACT - 2966676



PLC-OSC- 24DC/230AC/ 1/ACT - 2967947



PLC-OSC- 24DC/300DC/ 1 - 2980678



Extension module - PLC-V8C/PT-24DC/EM - 2905137

Accessories

PLC-OSC- 24DC/ 24DC/ 10/R - 2982702



PLC-OSC- 24DC/ 48DC/500/W - 2980636



PLC-OSC- 24DC/TTL - 2982728



PLC-OPT-24DC/48DC/100/V8C/SEN - 2904693



PLC-OPT-120UC/48DC/100/V8C/SEN - 2904694



PLC-OPT-230UC/48DC/100/V8C/SEN - 2904695



Extension module - PLC-V8C/PT-24DC/EM - 2905137

Accessories

PLC-OSC- 24DC/48DC/100/V8C/SEN - 2904690



PLC-OSC-120UC/48DC/100/V8C/SEN - 2904691



PLC-OSC-230UC/48DC/100/V8C/SEN - 2904692



Relay socket

PLC-BSC- 5DC/ 1/SEN - 2980267



PLC-BPT- 24DC/21 - 2900445



Extension module - PLC-V8C/PT-24DC/EM - 2905137

Accessories

PLC-BPT- 24DC/ 1/SEN - 2900262



PLC-BSC- 24DC/21 - 2966016

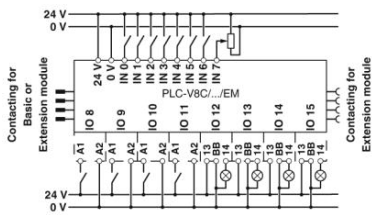


PLC-BSC- 24DC/ 1/SEN - 2966061

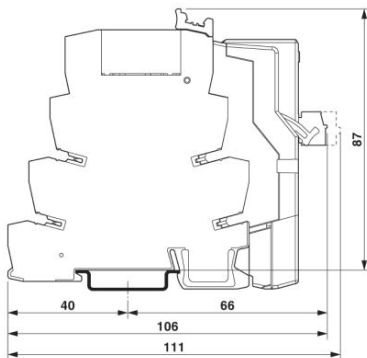


Drawings

Connection diagram

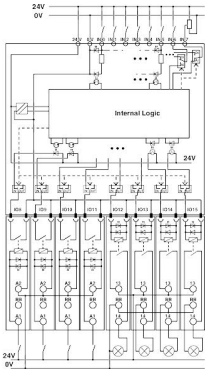


Dimensional drawing

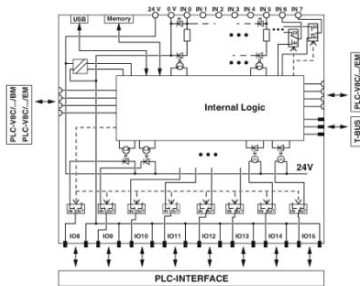


Extension module - PLC-V8C/PT-24DC/EM - 2905137

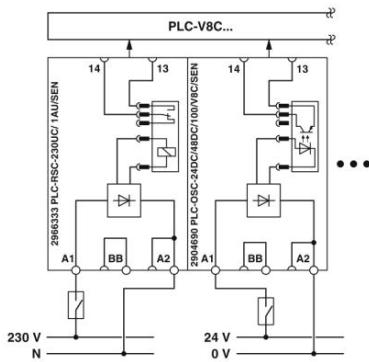
Circuit diagram



Circuit diagram



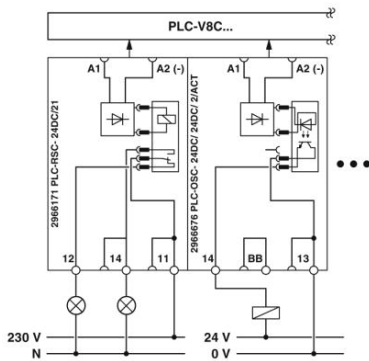
Circuit diagram



Basic circuit diagram: inputs via PLC-INTERFACE with the example of one input terminal block with relay (230 V AC) and one input terminal block with solid-state relay (24 V DC).

Extension module - PLC-V8C/PT-24DC/EM - 2905137

Circuit diagram



Basic circuit diagram: outputs via PLC-INTERFACE with the example of an output terminal block with relay, 1 PDT, and an output terminal block with solid-state relay.

Phoenix Contact 2016 © - all rights reserved
<http://www.phoenixcontact.com>