

Solid-state relay module - PLC-OPT-230UC/ 48DC/100 - 2900356

Please be informed that the data shown in this PDF Document is generated from our Online Catalog. Please find the complete data in the user's documentation. Our General Terms of Use for Downloads are valid (<http://download.phoenixcontact.com>)



PLC-INTERFACE, consisting of PLC-BPT.../21 basic terminal block with push-in connection and plug-in miniature solid-state relay, for mounting on DIN rail NS 35/7,5, 1 N/O contact, input: 230 V AC/220 V DC, output: 3 - 48 V DC/100 mA

Your advantages

- Slim design
- Efficient connection to system cabling using V8 adapter
- RT III sealed solid-state relay
- High switching power
- Functional plug-in bridges
- Integrated input circuit
- Zero voltage switch at AC output



Key commercial data

package_quantity	10
GTIN	4046356506793

Technical data

Note

Utilization restriction	EMC: class A product, see manufacturer's declaration in the download area
-------------------------	---

Dimensions

Width	6.2 mm
Height	80 mm
Depth	94 mm

Ambient conditions

Ambient temperature (operation)	-25 °C ... 60 °C
Ambient temperature (storage/transport)	-25 °C ... 70 °C

Input data

Nominal input voltage U_N	230 V AC
Nominal input voltage U_N	220 V DC
Input voltage range in reference to U_N	0.9 ... 1.1

Solid-state relay module - PLC-OPT-230UC/ 48DC/100 - 2900356

Technical data

Input data

Input voltage range	207 V AC ... 253 V AC
Input voltage range	198 V DC ... 242 V DC
Switching threshold "0" signal in reference to U _N	≤ 0.3
Switching threshold "1" signal in reference to U _N	≥ 0.8
Typical input current at U _N	3.5 mA
Typical response time	3 ms (at U _N)
Typical turn-off time	5 ms (at U _N)
Type of protection	Bridge rectifier
Protective circuit/component	Bridge rectifier
Transmission frequency	10 Hz
Power dissipation for nominal condition	0.81 W

Output data

Output voltage range	3 V DC ... 48 V DC
Limiting continuous current	100 mA
Voltage drop at max. limiting continuous current	≤ 1 V
Output circuit	2-wire, floating
Type of protection	Reverse polarity protection
Type of protection	Surge protection
Protective circuit/component	Polarity protection diode

Connection data, input side

Connection name	Input side
Connection method	Push-in connection
Stripping length	8 mm
Conductor cross section solid	0.14 mm ² ... 2.5 mm ²
Conductor cross section flexible	0.14 mm ² ... 2.5 mm ²
Conductor cross section AWG	26 ... 14

Connection data, output side

Connection name	Output side
Connection method	Push-in connection
Stripping length	8 mm
Conductor cross section solid	0.14 mm ² ... 2.5 mm ²
Conductor cross section flexible	0.14 mm ² ... 2.5 mm ²
Conductor cross section AWG	26 ... 14

General

Test voltage input/output	2.5 kV (50 Hz, 1 min.)
Mounting position	any
Assembly instructions	In rows with zero spacing
Operating mode	100% operating factor
Flammability rating according to UL 94	V0

Solid-state relay module - PLC-OPT-230UC/ 48DC/100 - 2900356

Technical data

General

Degree of pollution	2
Overvoltage category	III

Standards and Regulations

Standard designation	Standards/regulations
Standards/regulations	IEC 60664
Standards/regulations	IEC 60664A
Standards/regulations	DIN VDE 0110
Connection in acc. with standard	CUL
Flammability rating according to UL 94	V0

Environmental Product Compliance

China RoHS	Environmentally Friendly Use Period = 50
China RoHS	For details about hazardous substances go to tab "Downloads", Category "Manufacturer's declaration"

Classifications

eCl@ss

eCl@ss 5.0	27371001
eCl@ss 5.1	27371001
eCl@ss 6.0	27371604
eCl@ss 7.0	27371604
eCl@ss 8.0	27371604
eCl@ss 9.0	27371604

ETIM

ETIM 2.0	EC001504
ETIM 3.0	EC001504
ETIM 4.0	EC001504
ETIM 5.0	EC001504
ETIM 6.0	EC001504

UNSPSC

UNSPSC 6.01	30211916
UNSPSC 7.0901	39121542
UNSPSC 11	39121542
UNSPSC 12.01	39121542
UNSPSC 13.2	39122326

Approvals

UL Recognized / UL Listed / cUL Recognized / cUL Listed / EAC / EAC / DNV GL / cULus Recognized / cULus Listed /

Solid-state relay module - PLC-OPT-230UC/ 48DC/100 - 2900356

Approvals

Approval details

UL Recognized 

UL Listed 


cUL Recognized 

cUL Listed 

EAC 

ERC

DNV GL

cULus Recognized 

cULus Listed

Accessories

DIN rail

NS 35/ 7,5 V2A UNPERF 2000MM - 0801377

NS 35/ 7,5 PERF 2000MM - 0801733

Solid-state relay module - PLC-OPT-230UC/ 48DC/100 - 2900356

Accessories

NS 35/ 7,5 CU UNPERF 2000MM - 0801762



NS 35/15 UNPERF 2000MM - 1201714



NS 35/15 CU UNPERF 2000MM - 1201895



NS 35/15-2,3 UNPERF 2000MM - 1201798



NS 35/15 AL UNPERF 2000MM - 1201756



NS 35/15 PERF 2000MM - 1201730



Solid-state relay module - PLC-OPT-230UC/ 48DC/100 - 2900356

Accessories

NS 35/ 7,5 UNPERF 2000MM - 0801681

Power module

PLC-ESK GY - 2966508



Partition plate

PLC-ATP BK - 2966841



Screwdriver tools

SZF 1-0,6X3,5 - 1204517



Terminal marking

Solid-state relay module - PLC-OPT-230UC/ 48DC/100 - 2900356

Accessories

ZB 6/WH-100:UNBEDRUCKT - 5060935



ZB 6:UNBEDRUCKT - 1051003



Labeled terminal marker

ZB 6,LGS:FORTL.ZAHLEN - 1051016



Controller board

PLC-V8/FLK14/IN - 2296553



PLC-V8/FLK14/IN/M - 2304115



Solid-state relay module - PLC-OPT-230UC/ 48DC/100 - 2900356

Accessories

PLC-V8/D15S/IN - 2296074



PLC-V8/D15B/IN - 2296087



Relay socket

PLC-BPT-230UC/21 - 2900281



Single solid-state relay

OPT-60DC/ 48DC/100 - 2966621



Bridge

FBST 500-PLC RD - 2966786



Solid-state relay module - PLC-OPT-230UC/ 48DC/100 - 2900356

Accessories

FBST 500-PLC BU - 2966692



FBST 500-PLC GY - 2966838



FBST 6-PLC RD - 2966236



FBST 6-PLC BU - 2966812



FBST 6-PLC GY - 2966825



FBST 8-PLC GY - 2967688

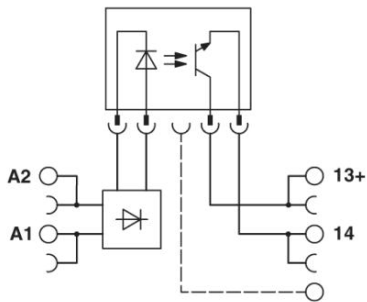


Solid-state relay module - PLC-OPT-230UC/ 48DC/100 - 2900356

Accessories

Drawings

Circuit diagram



Phoenix Contact 2016 © - all rights reserved
<http://www.phoenixcontact.com>