

Electric Staple Gun

Item No. 12420

Instruction Manual



Always read and observe the safety instructions included and this manual before using electrical tools!

Additional safety instructions for electric staple guns

This electric staple gun is used for stapling or nailing wooden strips, films, sheets of material, paper, cardboard, wire mesh and so onto wood or other suitable base materials.

- Unplug the tool from the mains before carrying out any work on it, especially filling the magazine with staples or nails.
- Never point the tool at animals or people.
- Always check the plug and cable before use, and have any damaged parts replaced by a qualified specialist.
- Always make sure that the mains cable(2) is trailing away from the back of the tool.
- Never use different types of fastening material at the same time. Always make sure that fastening materials in the magazine are of the same type.
- Never push the trigger lever down on an empty magazine.
- Leave the main switch (4) in the "Off" position (0) during work breaks.
- Wear eye protection when working with the electric staple gun.
- Remove all nails or staples from the magazine during longer work breaks or after finishing work.
- Do not use this staple gun for fastening electrical cables. It is not designed for electric cable installation and may damage the insulation of electric cables thereby causing electric shock or fire hazards.
- Immediately stop using the staple gun if it is either faulty or not working properly, and bring it to an expert to be checked over.
- Use the staple gun away from children, and keep it out of children's reach.

Tool description (Fig. 1 + 2)

1. Trigger
2. Mains power cable
3. Hammer force preselection
4. Main switch
5. Staple magazine
6. Contact switch
7. Magazine lock

Technical data

Voltage	220-240 V~/50 Hz
Magazine capacity	50 nails/staples
Stapling/nailing rate	30 shots per minute
Suitable staple sizes	15-25 mm
Suitable nail size	15-32 mm
Sound pressure level (LPA) (Uncertainty K = 3 dB)	80,48dB(A)
Sound power level (LWA) (Uncertainty K = 3 dB)	91,48 dB(A)
Vibration data (Uncertainty K = 1,5 m/s ²)	2,13 m/s ²
Safety class	□ / II



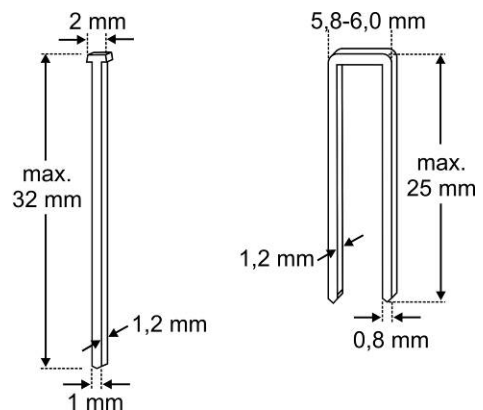
Always wear eye protection during use!

- The vibration emission level given in this information sheet has been measured in accordance with a standardized test given in EN 60745 and may be used to compare one tool with another.
- The vibration emission level will vary because of the ways in which a power tool can be used and may increase above the level given in this information sheet. This could lead to a significant underestimate of exposure when the tool is used regularly in such a way.
- Note: To be accurate, an estimation of the level of exposure to vibration experienced during a given period of work should also take into account the times when the tool is switched off and when it is running but not actually doing the job. This may significantly reduce the exposure level over the total working period.

Suitable nails and staples:

You can use staples with a length up to 25 mm or nails with a length up to 32 mm with this electric staple gun.

Staples	Nails
Bosch Typ 55	Bosch Typ 47
KWB Typ 055	KWB Typ 055
Novus C Typ 4	Novus E Typ J
Prebena Typ ES	Prebena Typ J
Rapid Nr. 606	Rapid No. 8
Wolfcraft Typ 055	Wolfcraft Typ 062



Loading of staples (Fig. 3) or nails (Fig. 4)

- Unplug the tool from the mains.
- Push the staple feeder catch (7) at the back of the tool towards the magazine, and pull out the staple feeder (5).
- Warning: Once the staple or nail strip has been placed in the feeder, it will be spring-loaded. Hold the catch firmly to prevent the feeder from suddenly being ejecting from the tool.
- Place the staple strip (Fig. 3) or nail strip (Fig. 4) into the magazine.
- Push the staple feeder (5) back to the front and secure by hitching the catch (7) behind the opening in the housing.

Usage

The tool has double protection against inadvertent operation:

1. Switch the main switch (4) to the "Off" position (0) to lock the trigger (1).
 2. The contact switch (6) ensures that the staple gun is only triggered on contact with a material surface.
- Place the opening of the electric staple gun firmly onto the material and squeeze the trigger (1).
 - Additional pressure applied to the front of the tool will prevent recoil and increase the force applied to the nails or staples. This is especially important for ensuring that the nail or staple is driven the whole way into a hard surface.

Hammer-force Preselection

With the thumbwheel for hammer-force preselection (3), it is possible to preselect the required hammer force. The required hammer force depends on the length of the staples or nails, and on the strength of the material. Always test the selected hammer force on scrap material first. The optimum hammer-force setting can be determined only by trial and error.

Troubleshooting

A staple or nail may jam in the magazine when stapling onto hard surfaces. If this happens, stop work and do not attempt to drive in any more staples or nails.

- **Before any work on the machine itself, pull the mains plug.**
- Press release buttons (7) and pull out the magazine (5) toward the rear.
- Remove the jammed staple. For this, use a pair of pliers, if required.
- Insert the magazine (5) again until the magazine lock (7) engages.

Load the magazine in good time. If the staple strip is too short, this may cause staples to jam

Care and servicing

The tool is virtually maintenance-free.

- Occasionally clean the housing with a dry cloth.
- Keep the hand grip and trigger dry and free of oil and grease.
- Do not use solvents, as they might damage the housing.
- Only have repairs carried out by an authorised repair workshop using original parts.

Full two-year guarantee

The guarantee period for your wall chasing machine begins on the day of purchase. Please supply proof of the day of purchase by sending in the original receipt.

The guaranteed period covers the following:

- Free removal of any faults.
- Free replacement of defective parts.
- Including free expert service (free assembly by our experts)

This guarantee is conditional upon the fault not being the result of improper handling. If you have any queries or problems concerning quality, please contact the manufacturer:

Brüder Mannesmann Werkzeuge GmbH
Abt. Reparatur-Service
Lempstr. 24

42859 Remscheid, Germany

Tel.: +49 (2191) 37 14 71
Fax: +49 (2191) 38 64 77
Email: service@br-mannesmann.de

Discarding old electrical tools—environmental protection

- If your tool has been so heavily used that it has become worn out and has to be replaced, or you have no further use for it, you must turn the electrical tool in at a central recycling centre for disposal.
- Please contact your community waste collection service or local authority to find out where you can hand in your tool for recycling.
- Electric tools contain valuable raw materials that can be recycled. You will contribute to recycling valuable raw materials by handing your tool in at a central waste disposal centre.
- Electric tools also contain substances that may be harmful to the environment and humans if disposed of inappropriately.



- The no-go sign with the dustbin means that you have a duty to take that article with the sign to be recycled by a separate waste collection facility for electrical and electronic equipment.