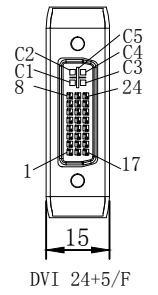
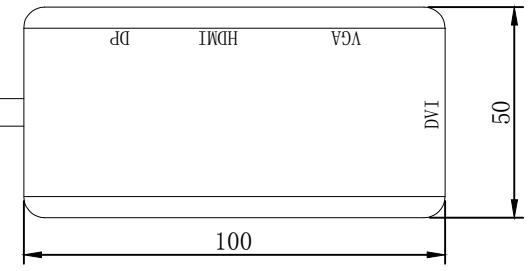
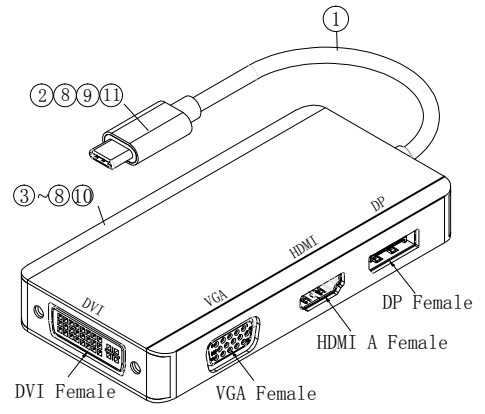


Type C 3.1 M

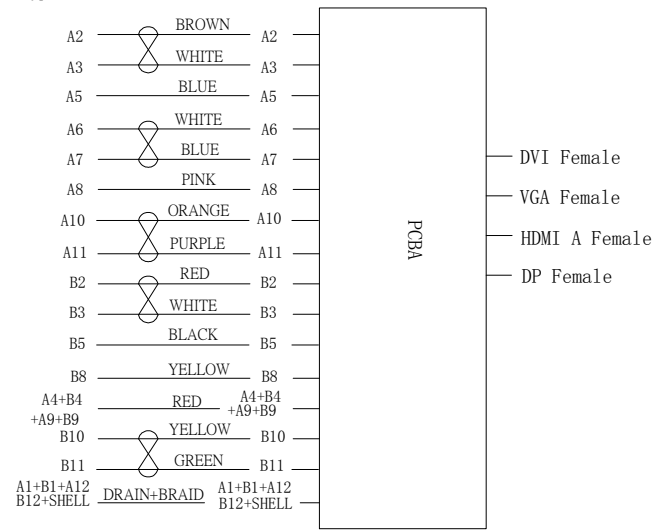


- NOTE:**
- 3840×2160@30Hz resolution for Displayport
  - 3840×2160@30Hz resolution for HDMI 1.4b
  - 3840×2160@30Hz resolution for DVI-D
  - 1920×1080@60Hz resolution for SVGA
  - Operating Temperature:0℃~45℃
  - Storage Temperature:-20℃~70℃
  - ROHS 2.0 and Reach compliant.
  - 1PCS/PE BAG+LABEL



Type C 3.1 M

**PIN OUT**



**MATERIAL LIST:**

NO.	PARTS NAME	SPECIFICATION STANDARD	QT' Y	REMARK
⑪	HOUSING	ALUMINIUM ALLOY COLOR FOR Silver	1	
⑩	HOUSING	ALUMINIUM ALLOY COLOR FOR Silver	1	
⑨	INNER MOLD	LD-PE	1	
⑧	TBUE END	WHITE TPE	2	
⑦	PCBA	TYPE C Male TO DVI-D 24+5 Female+HDMI A Female+SVGA Female+Display port Female PCBA	1	
⑥	Display port Female	Display port 20P Female Solder Type, Black PBT Insulation, The Pin Gold Plating, the shell for Nickel Plating	1	
⑤	HDMI A Female	HDMI 19P A Female Solder Type, Black PBT Insulation, The Pin Gold Plating, the shell for Nickel Plating	1	
④	VGA Female	VGA 15P Female Solder Type, Blue PBT Insulation, The Pin Gold Plating, the shell for Nickel Plating	2	
③	DVI-D 24+5 Female	DVI-D 24+5 Female Solder Type, White PBT Insulation, The Pin Gold Plating, the shell for Nickel Plating	1	
②	USB TYPE C Male	USB TYPE C Male Solder Type, Black PBT Insulation, The Pin Gold Plating, the shell for Nickel Plating	1	
①	CABLE	USB 3.1 (32#TC*2C+AM)*4P+32#*1P+32#*4C+28#*1C+24#*1C+E+AB OD:4.2±0.2mm WHITE TPE JACKET	1	

CUSTOMER		CN		ITEM NO.	
PRODUCT NAME		USB 3.1 Type C Male to Display port Female 1.2v & HDMI 1.4b A Female & DVI-D 24+5 Female & SVGA Female Docking		716166WV	UNIT MM
DRAWNBY		CHECKBY		APPOBY	
DATE		DATE		DATE	
BY	CHK	REVISION RECORD MODIFICATIONS		DATE	REV.
		NEW		2018.04.26	A
AIEI	Alvan			2018.04.26	