

Battery Switches



701

Contour Battery Master Switch

- Patented Contour Locking System allows switch to be a stand alone unit, or locked together with other switches
- Control knob can be removed by switching to counter-clockwise 45° position
- Interchangeable labeling system allowing a full range of applications
- Three removable side plates for access of up to 1/0 cables plus a rear cover insulating the rear terminals against any short circuits. This ensures the switch meets ABYC requirements
- 2.1" (52 mm) hole for mounting

▶ POWER tip

Battery Switch Construction

All battery switches are molded in a high strength, fiber reinforced plastic which provides excellent high temperature performance, and the greatest resistance to chemicals that damage other plastic types.

Specifications - All recessed or surface mount, tin-plated copper studs & nuts, ignition-protected

Part #	in LxWxH	mm LxWxH	Rating (A DC)			Voltage (V DC)	Operation	Stud size Studs x (in/mm)	Cable to meet rating (AWG/mm)
			Cont (1 hr)	Inter (5 min)	Crank (10 sec)				
701	2.75" x 2.75" x 3"	68 x 68 x 75 mm	275	455	1250	48	On/Off	2x 3/8" / 10mm	3/0 / 95mm ²

701 CONTOUR BATTERY MASTER SWITCH

TO REMOVE KNOB

Rotate the knob to the off position, The knob is still locked to the switch.
Depress and continue to rotate anticlockwise until the stop is reached.
The knob can now be removed.

TO REPLACE KNOB

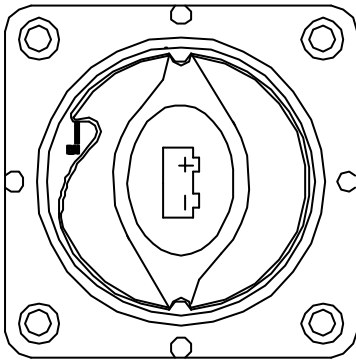
Place knob in the switch housing. Depress and turn clockwise 45° to the off position.

Note: The back and side panels are removable to allow access for cable and links.

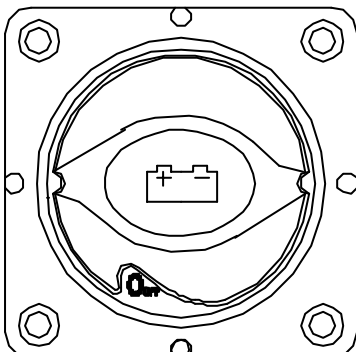
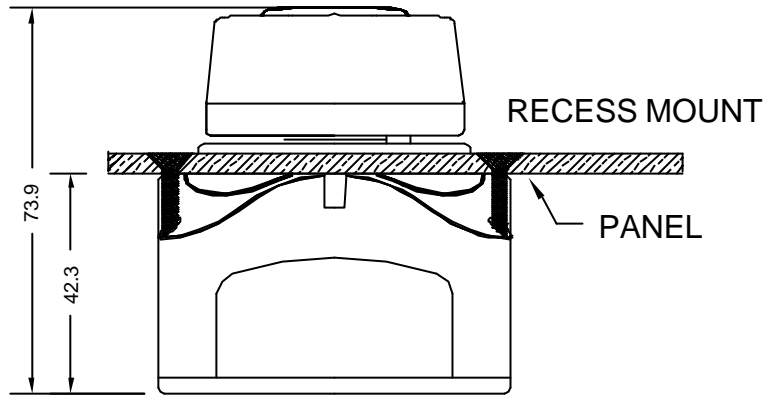
Two pegs are supplied for fastening to other 700 series products

NB// As this switch is rated for 1.8m (6ft) immersion no solvents or sealers are to be used.

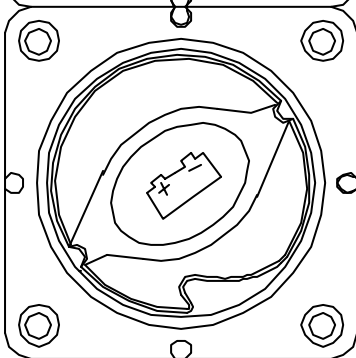
A petroleum-based grease can be used on the lug-stud join.



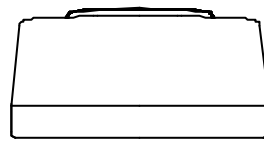
SWITCH IN ON POSITION



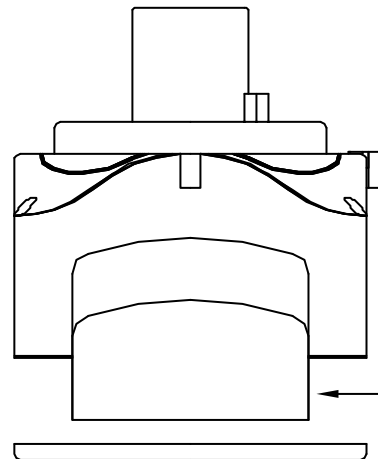
SWITCH IN OFF POSITION



SWITCH IN KNOB REMOVAL POSITION



← KNOB

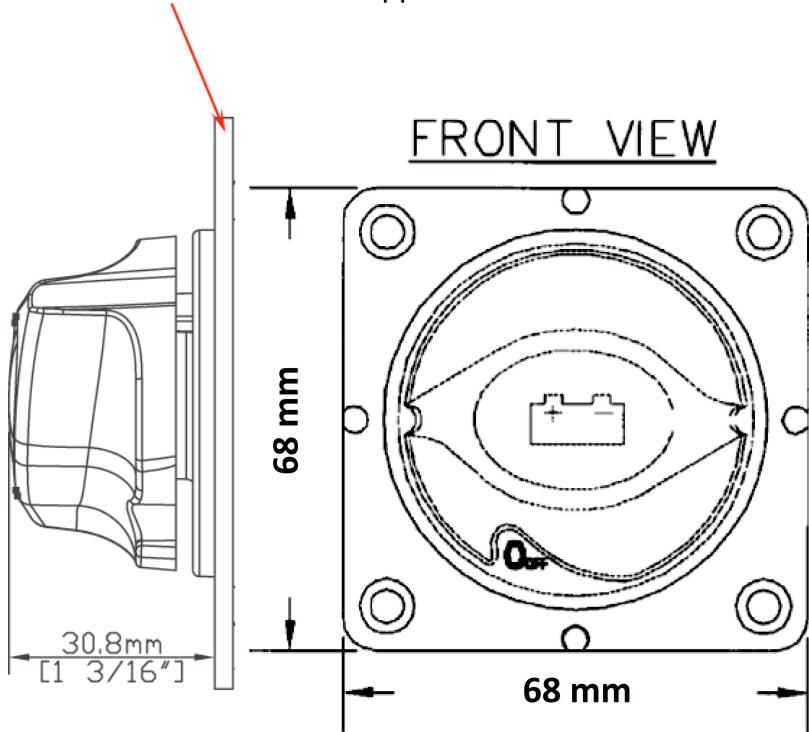


← PEG

← SIDE PLATE

← BACK PLATE

Full recessed Application



SIDE VIEW

