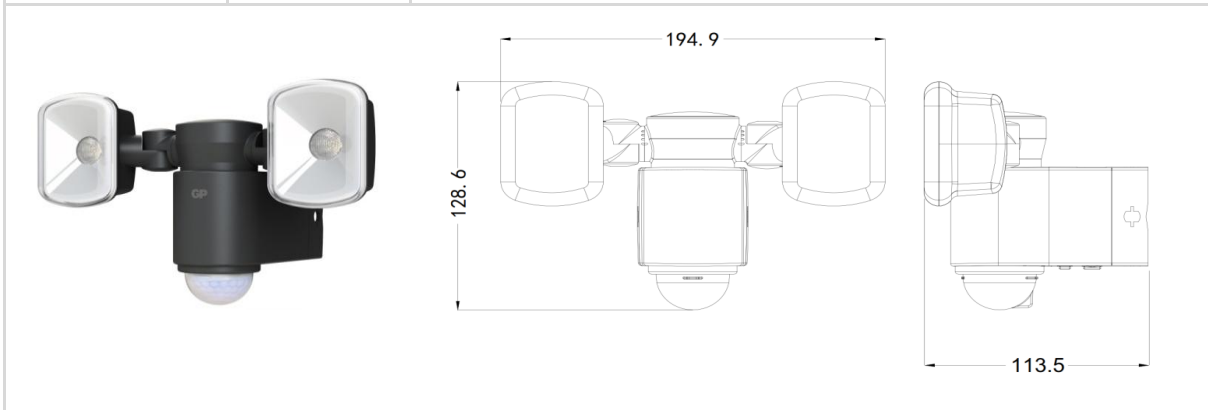


GP Lighting

Product Data Sheet

Model No.: 079170-LA

Order code	EAN	Packaging - SKU
079170-LAB1	4895149079170	Color Gift Box, 1 pc/SKU



Product

Category	LED cordless light
Series	SafeGuard RF2.1
Description	LED outdoor automotive motion sensor security light, two headlamps

Electrical characteristics

Input Voltage	4.5VDC (3 x 1.5V AA batteries)
Operating Voltage	4.5V
Standby Current	< 100µA
Lamp current	350mA
Battery Life Time	300 days* (Based on 5 operation per day in Auto Mode)

Lighting characteristics

CCT	4500K-5500K
luminous flux / Intensity	≥ 120 lm
LED Type	2 x SMD LED
Light modes	OFF / ON / AUTO
Light duration in auto mode	10 s ±3 s

Sensors characteristics

Sensor	Photo sensors & PIR Sensors
Sensor Detection Range	8M, 110°
Lux Detection Frequency	3 sec per detection, 1 sec between detection
Trigger Lux Value	0-35 Lux

Physical Characteristics

Operating Temperature	-20°C to 50°C
Storage Temperature	-20°C to 50°C
Dimension	194.8 (L) x 128.6 (H) x 113.5 (D) mm
Weight	
Housing Material	PC
IP Rating	IP55

Product Compliance	CE, RoHS
Warranty	12 months from ex-factory date

* Based on new alkaline batteries. Do not mix new and old batteries at the same time.

www.gp-lighting.com

Manufacturer reserves the right to alter or amend the design, model and specification without prior notice.

S-LA-160506-032 R1