

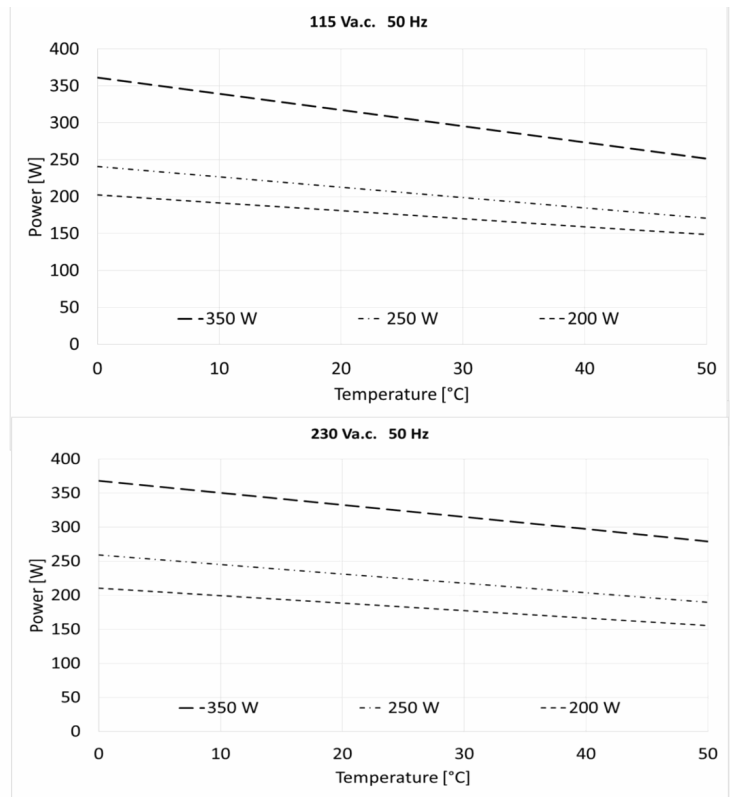
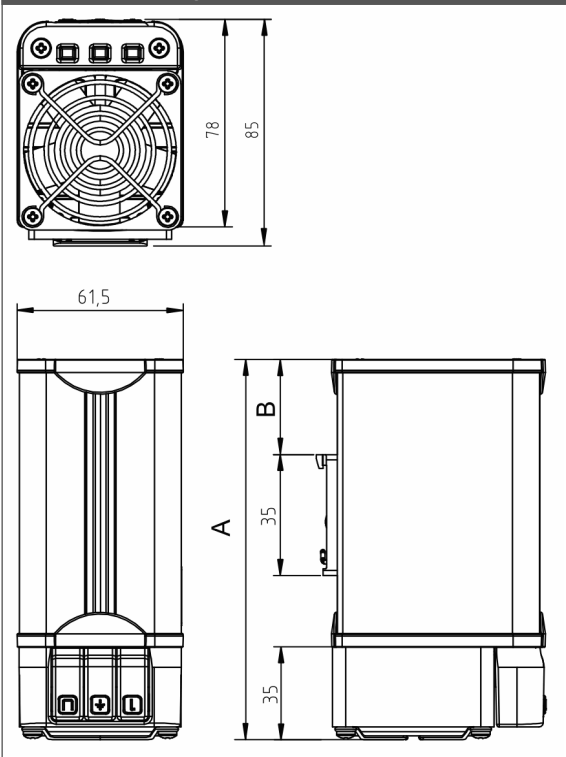
"HVMS-T(HP)" VENTILATED HEATERS

Description: **metal cover TP**
200/250/350W



| | |
|--------------------------------------|--|
| Heating element: | PTC thermistor, self regulating |
| Overheat protection | Integrated bi-metal thermal protector |
| Heat sink: | black anodised extruded aluminium profile |
| Cover material: | black anodised aluminium |
| Method of mounting: | snap-on fixing on RAIL 35mm EN 50022 |
| Fitting position | Vertical |
| Rated temperature range: | from -10°C to +50°C |
| Storage temp. range | from -40°C to +70°C |
| Protection degree by heaters: | IP20 |
| Electrical connection: | by 3 poles terminal L-N-PE 3 clamps for solid or fine stranded wire 0.5 ÷ 2.5mm ² (20 ÷ 16 AWG) |
| Appliance class: | class I |
| Rated frequency: | 50/60 Hz |
| Max voltage: | 125 Va.c. for 115 Va.c. models; 250 Va.c. for 230 Va.c. models |
| Applicable standards: | EN 60335-1, UL508, CSA C22.2 No.14-13 |
| Approvals: | CE; cURus certified till max 50°C |

technical drawing



| Model | Dimension | | Heating Power [W] | Absorbed Current* [mA] | Rated voltage [V] | Weight [Kg] | Approvals |
|----------------|-----------|--------|----------------------|---------------------------|----------------------|----------------|------------|
| | A [mm] | B [mm] | | | | | |
| HVMS200THP-115 | 143 | 40 | 200 | 1,500 | 115 V a.c. | 0.550 | CE; cURus; |
| HVMS200THP-230 | 143 | 40 | 200 | 820 | 230 V a.c. | 0.550 | CE; |
| HVMS250THP-115 | 193 | 65 | 250 | 1,760 | 115 V a.c. | 0.700 | CE; cURus; |
| HVMS250THP-230 | 193 | 65 | 250 | 980 | 230 V a.c. | 0.700 | CE; cURus; |
| HVMS350THP-115 | 243 | 90 | 350 | 2,580 | 115 V a.c. | 0.900 | CE; cURus; |
| HVMS350THP-230 | 243 | 90 | 350 | 1,400 | 230 V a.c. | 0.900 | CE; |

*The values of absorbed current were obtained at 50Hz and at ambient temperature condition of 25±5°C at steady state. These values have an uncertainty of 10%.

All specifications, data and drawing are subject to change without notice and are approximate. Please refer to our terms of sales including our warranty and limited liabilities clause.