

1、 Scope:

This specification applies to SIP thick film network resistor produced by our company for used in electronic equipments.

2、 Specification and items by checked

■ How to order

A

09

472

J

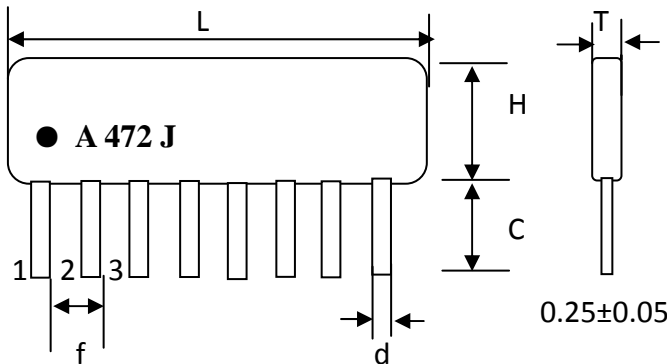
Circuits	
A Style	
B	
C	
D	
E	
F	
G	
H	

Number of pin	
04	4pin
05	5pin
06	6pin
07	7pin
08	8pin
09	9pin
10	10pin
11	11pin
12	12pin
13	13pin
14	14pin

Value of resistor	
E — 24	: Two significant digits followed by no. of zeros .
For example: 472=4.7K	

Tolerance	
F	±1%
G	±2%
J	±5%

■ Dimensions(mm)

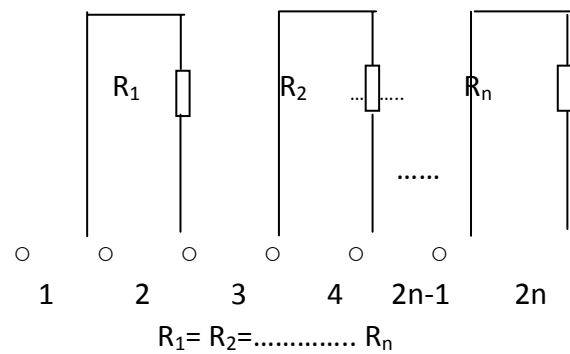
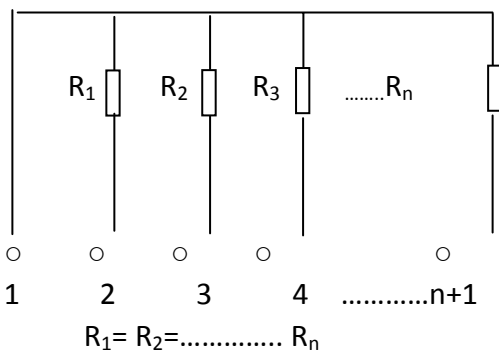


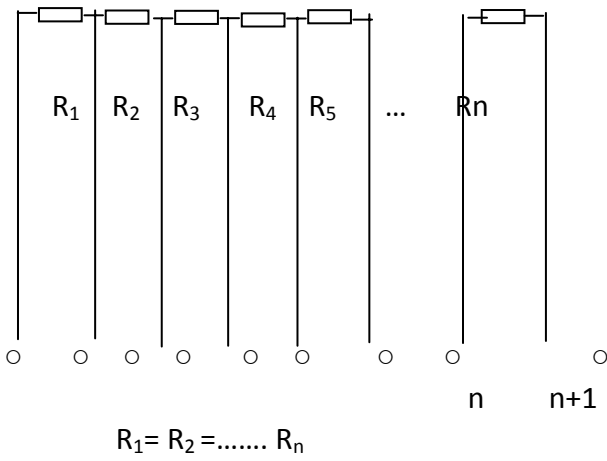
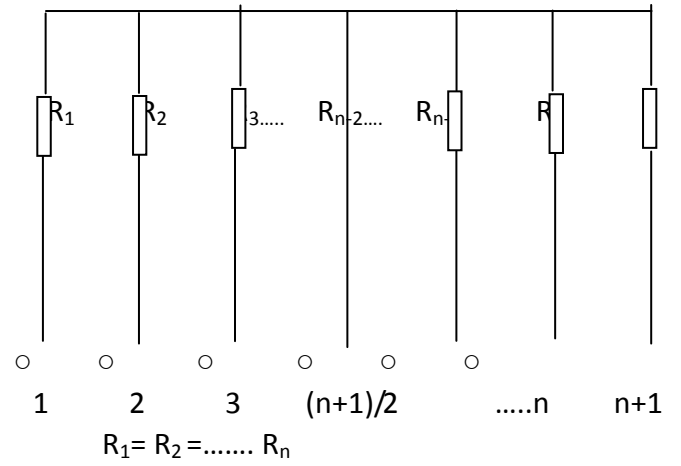
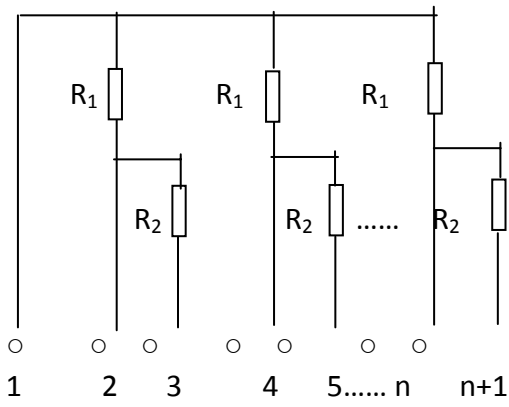
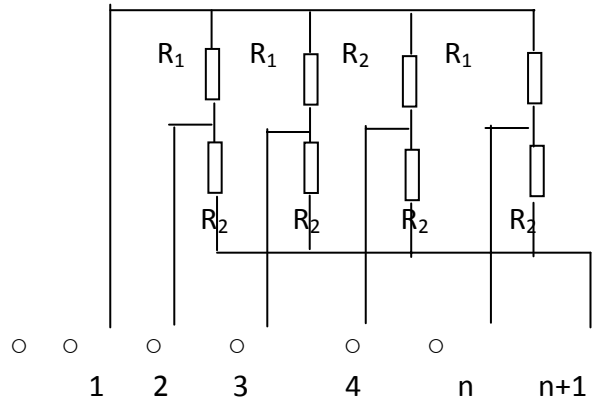
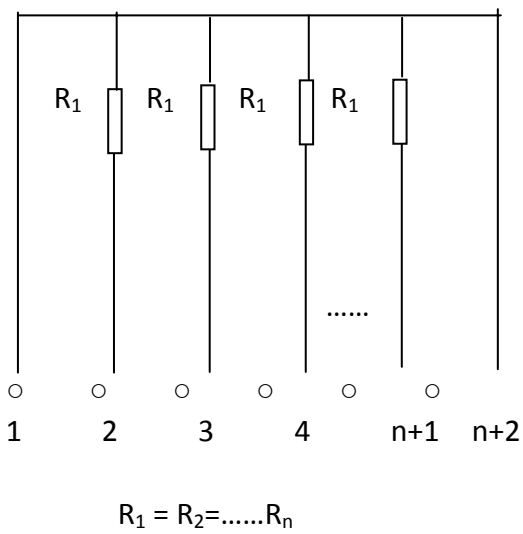
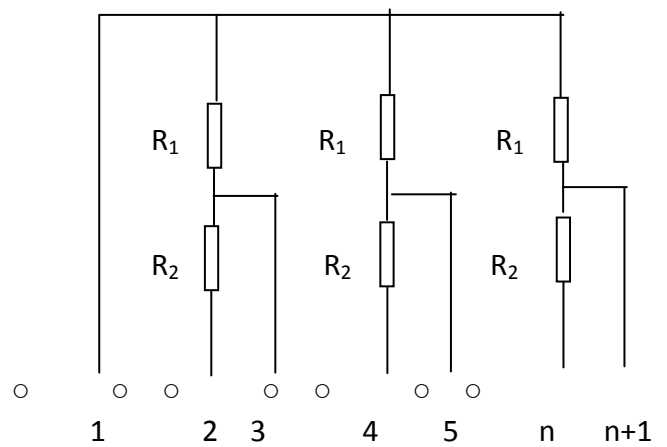
TYPE	L (MAX)	H(MAX) A	T (MAX)	c ±0.5	d ±0.05	f ±0.2
4pin	10.2					
5pin	12.7					
6pin	15.3					
7pin	17.8					
8pin	20.4					
9pin	22.9	5.08	2.5	3.5	0.5	2.54
10pin	25.4					(1.778)
11pin	28.0					
12pin	30.5					
13pin	33.1					
14pin	35.6					

■ Circuit construction

A

B



C**H****D****F****G****E**

■ Rated Power

Item	A	B
Rated Power	1/8W (1/4W)	1/8W (1/4W)
Max.Operating Voltage	200V	
Resistance tolerance	±1% (F) ±2% (G) ±5% (K)	
Resistance Range	E-24 Series (10Ω—1MΩ)	
Operating Temperature Range	-55°C—+125°C	
Temperature Coefficient	±250ppm/°C/±100ppm/°C	
Rated Temperature	70°C	

■ Features

Item	Specification	Test Methods (JISC 4202)
Temperature Cycling	± (1.0%R+0.05Ω)	-55°C—+125°C for 5 Cycles
Short Time Over Load	± (2.0%R+0.1Ω)	Rated Voltage×2.5 for 5 Seconds
Resistance to Soldering Heat	± (1.0%R+0.05Ω)	260±5°C for 10 Seconds
Moisture Loading Life	± (3.0%R+0.1Ω)	60°C±2°C 90—95%RH 1000Hrs at RCWV1.5Hrs ON,0.5Hrs OFF
Loading Life	± (3.0%R+0.1Ω)	70°C±2°C 1000Hrs at RCWV 1.5Hrs ON,0.5Hrs OFF
Solderability	Coverage≥95%	235±5°C for 2seconds

■ Standard Resistance Value (Ω)

10	12	15	18	22	33	39	47	56	58	82
100	120	150	180	220	330	390	470	560	680	820
1 K	1.2 K	1.5 K	1.8 K	2.2 K	3.3 K	3.9 K	4.7 K	5.6 K	6.8 K	8.2 K
10 K	12 K	15 K	18 K	22 K	33 K	39 K	47 K	56 K	68 K	82 K
100K	120 K	150 K	180 K	220 K	330 K	390 K	470 K	560 K	680 K	820 K
1 M	1.2 M	1.5 M	1.8 M	2.2 M	3.3M					

■ Packaging Quantity

Bulk Package (B) 3-6 pins: 400Pcs Per Plastic Bag, 5Bags Per Box
 ≥7 pins: 200Pcs Per Plastic Bag, 5Bags Per Box