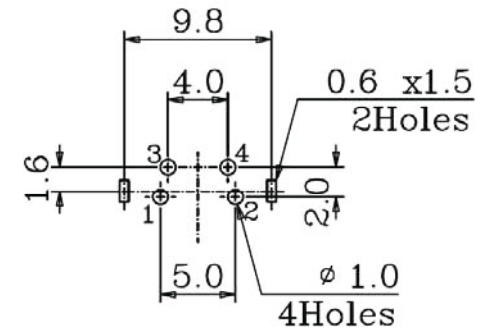
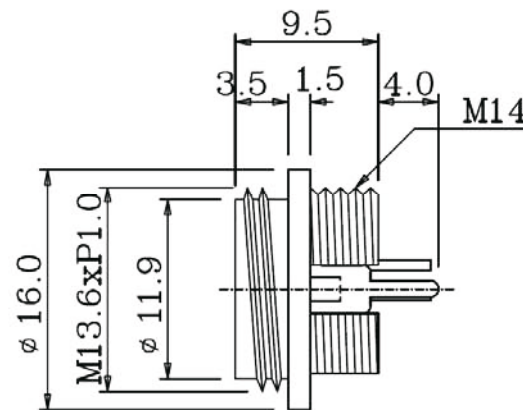
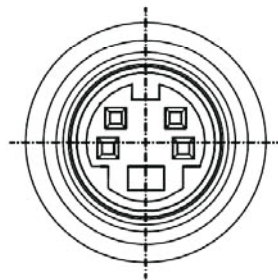


ARRANGEMENT OF CONTACTS					
3P	4P	5P	6P	7P	8P

SPECIFICATIONS	
Contact resistance	30mΩ Max.
Dielectric strength	250V AC/1 Minute
Insulation resistance	50MΩ Min. at 250V DC
Rating	100V AC 1A Max.; 12V DC 2A Max.
Insertion force	4.5Kg Max.
Withdrawal force	0.9Kg ~ 3Kg



P.C.B. HOLE LAYOUT

4	HEX. NUT	1	BRASS	NICKEL	30-50U"
3	EARTH TERMINAL	1	BSR-H (0.3t) [C2680R]	NICKEL	30-50U"
2	CONTACT TERMINAL	4	BSR-H (0.2t) [C1519R-H]	SILVER PLATED	30-50U"
1	PLASTIC BODY	1	PBT [D202G15]		UL94
P/N	PART NAME	Q'TY	MATERIAL	PLATING	REMARKS