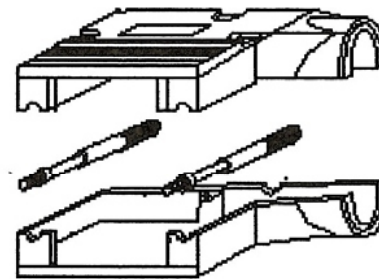
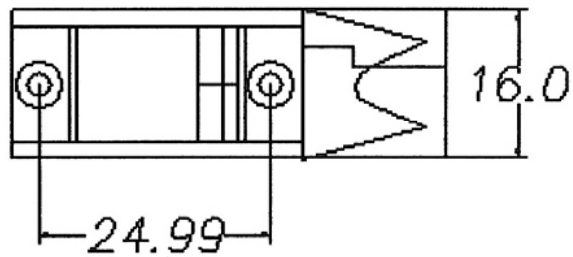
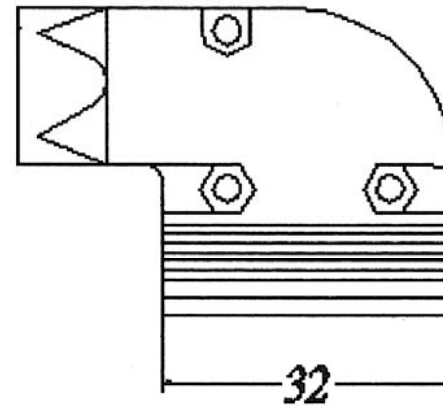


unit: MM  $\pm$  0.5



For D-sub

RoHS COMPLIANT

A: for cable dia. 11

TITLE: METAL HOOD RIGHT ANGLE TYPE FOR  
D-SUB. 9 PIN CONNECTOR DIMENSION A