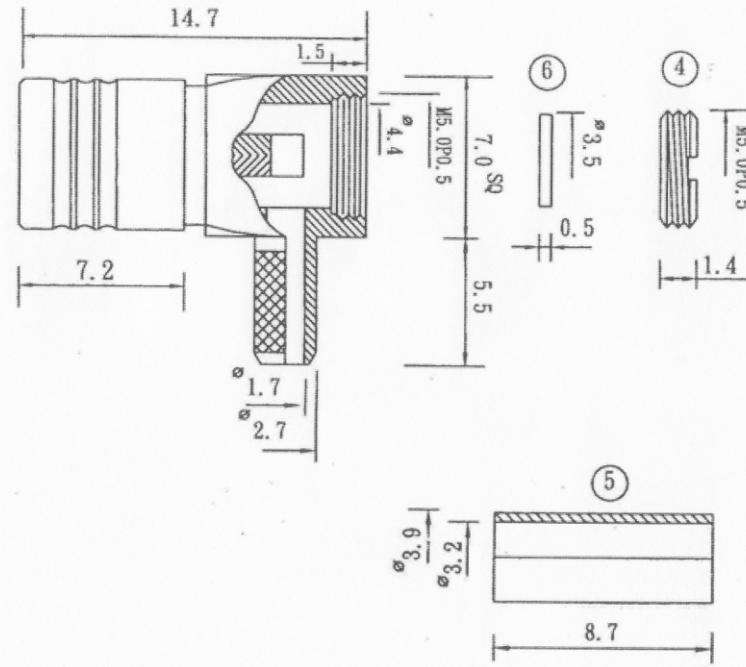


Impedance	50 Ω
Frequency range	0 to 4GHz with low reflection: usable to 10.0 GHz
Voltage rating for RG-188/U cables	Sea level 335 volts 70,000 ft: 85 volts
Dielectric withstanding voltage	750 VRMS RG-196 type 1000 VRMS for RG-188 type
VSWR (straight/rt. angle connectors)	RG-196/U series 1.30-.041(GHz) 1.45-.061(GHz) RG-188/U series 1.25-.041(GHz)/1.35-.041(GHz)
Contact resistance	Center contact: initial 8.0 milliohms; After environmental 8.0 Outer contact: initial 1.0 milliohms; After environmental 1.5 Braid to body: initial 1.0 milliohms; After environmental N/A
Insulation resistance	1000 megohms min.
RF leakage	.55dB min. @2-3GHz
Insertion loss (straight/rt. angle connectors)	0.30dB @ 1.5GHz/0.6dB @ 1.5GHz



6	Isolated	Teflon	White
5	Ferrule	Brass	Gold
4	Nut	Brass	Gold
3	Insulator	Teflon	White
2	Contact	Beryllium Copper	Gold
1	Body	Brass	Gold
NO	Description	Material	Finish

Dimensions Are In Millimeters
Unless Otherwise Specified
Tolerances 0.5-6 = ± 0.2
6-30 = ± 0.4
30-120 = ± 0.6
120-315 = ± 1.0
315-1000 = ± 1.6
1000-2000 = ± 2.4

RoHS COMPLIANT



Distributed by Conrad Electronic SE • Klaus-Conrad-Str. 1 • D-92240 Hirschau

Datasheet

Item no. 001579244

V1_0617_02