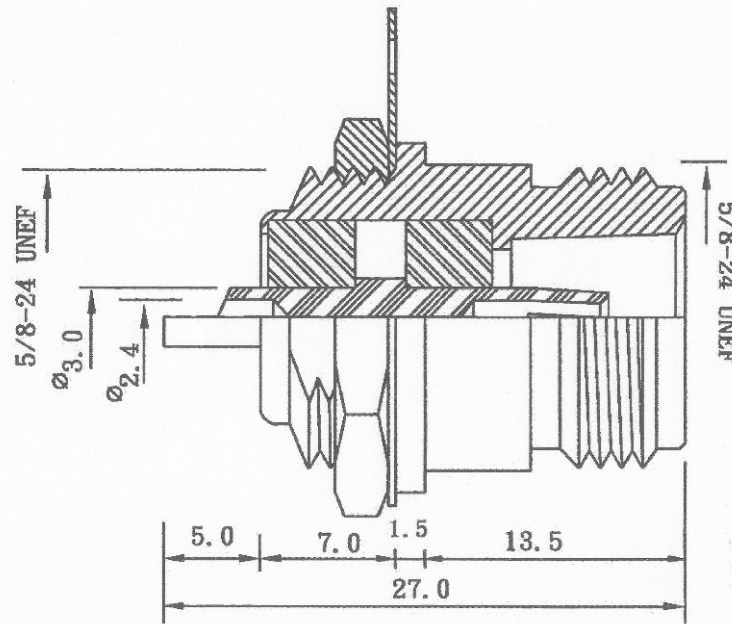
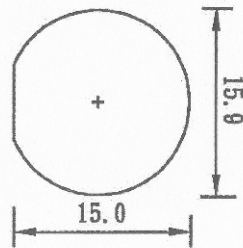


Mounting Holes



5	Solder Lug	Brass	Nickel
4	Nut	Brass	Nickel
3	Insulator	Teflon	White
2	Contact	Brass	Gold
1	Body	Brass	Nickel
NO	Description	Material	Finish

Impedance	50 Ω
Frequency range	0 - 11 GHz
Voltage rating	1500 volts peak
Dielectric withstanding voltage	2500 volts rms
VSWR	M39012 straight connectors: 1.3 max. 0-11.0GHz M39012 right angle: 1.35 max. 0-11.0GHz
Other (MIL-C-39012 Cable Connectors)	Contact resistance: center contact 1.0 milliohm outer contact 0.2 milliohm Insertion loss: 0.15db max at 10 GHz Insulation resistance: 5000 megohms(min)