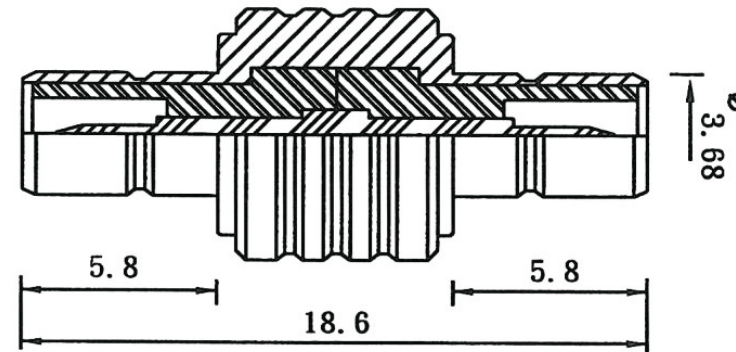


Impedance	50 Ω
Frequency range	0 to 4GHz with low reflrction: usable to 10.0 GHz
Voltage rating for RG-188/U cables	Sea level 335 volts 70,000 ft: 85 volts
Dielectric withstanding voltage	750 VRMS RG-196 type 1000 VRMS for RG-188 type
VSWR (straight/rt. angle connectors)	RG-196/U series 1.30-.041(GHz) 1.45-.061(GHz)
	RG-188/U series 1.25-.041(GHz)/1.35-.041(GHz)
Contact resistance	Center contact: initial.6.0 miliohms; After environmental. 8.0 Outer contact: initial.1.0 miliohms; After environmental. 1.5 Braid to body: initial.1.0 miliohms; After environmental. N/A
Insulation resistance	1000 megohms min.
RF leakage	.55dB min. @2-3GHz
Insertion loss (straight/rt. angle connectors)	0.30dB @ 1.5GHz/0.6dB @ 1.5GHz

3	Insulator	Teflon	White
2	Contact	PH/Bronze	Gold
1	Body	Brass	Gold
NO	Description	Material	Finish



- NOTE: FINISH (PLATING THICKNESS IN MICRO-INCHES)
1. BODY: BRASS PER JIS-C3604
 2. CONTACT: PH/BRONZE PER ASTM B196 UNS C17300
 3. INSULATION: TEFLON PER ASTM D1457 AND ASTM D1710
 4. CONNECTOR INTERFACE PER MIL-STD-348A
 5. PART TO BE CLEAN AND FREE BURRS
 6. NICKEL PL 70 μ" THICK OVER COPPER STRIKE
 7. GOLD PL 1-3μ" OVER NICKEL PL 70 μ" THICK OVER COPPER STRIKE