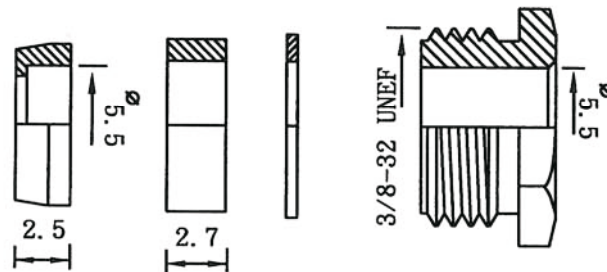
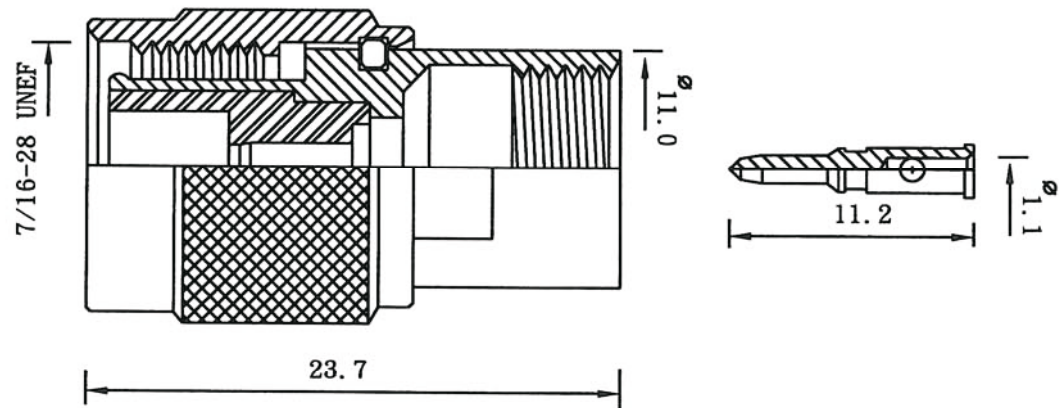
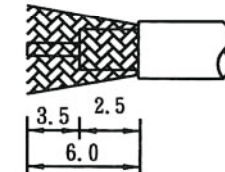


Electrical data	
Impedance	50 Ω
Frequency range	max 0 to 10GHz opt 0-4GHz
VSWR	≤ 1.2 typ
Test voltage	1500 volts rms
Working voltage	400 V rms
Voltage rating	500 volts peak
Power handling	≤ 80 W (2GHz)
Other (MIL-C-39012 Cable Connectors)	Contact resistance: center contact ≤ 1.5 mΩ outer contact ≤ 1 mΩ Insertion loss: ≤ 0.1x√f(GHz)dB Insulation resistance: ≥ 5000 mΩ
Electrical data	
Mating cycles	≥ 500
Center contact captivation	axial: ≥ 27 N
Environmental data	
Temperature range	-55°C + 85°C
Thermal shock	US MIL-STD 202, Meth, 107, Cond, B
Vibration	US MIL-STD 202, Meth, 204, Cond, B
Climatic class	IEC 60068 65/165/21
Shock	US MIL-STD 202, Meth, 213, Cond, B
Corrosion resistance	US MIL-STD 202, Meth, 101, Cond, B
Degree of protection (mated pair)	IEC 60529

7	Braid Clamp	Brass	Nickel
6	Gasket	Rubber	Red
5	Nut	Zinc	Nickel
4	Washer	Steel	Nickel
3	Insulator	Delrin	White
2	Contact	Brass	Gold
1	Body	Brass	Nickel
No	Description	Material	Finish



Recommended
Cable Stripping



CONTACT PIN TO SOLDER
OR HEX CRIMPED SIZE: .068"

NOTES: FINISH (PLATING THICKNESS IN MICRO-INCHES)

1. BODY/CONTACT: BRASS PER JIS-C3604
2. CONNECTOR INTERFACE PER MIL-STD-348A
3. PART TO BE CLEAN AND FREE BURRS
4. NICKEL PL 70 μ" THICK OVER COPPER STRIKE
5. GOLD PL 1-3 μ" OVER NICKEL PL 70 μ" THICK OVER COPPER STRIKE