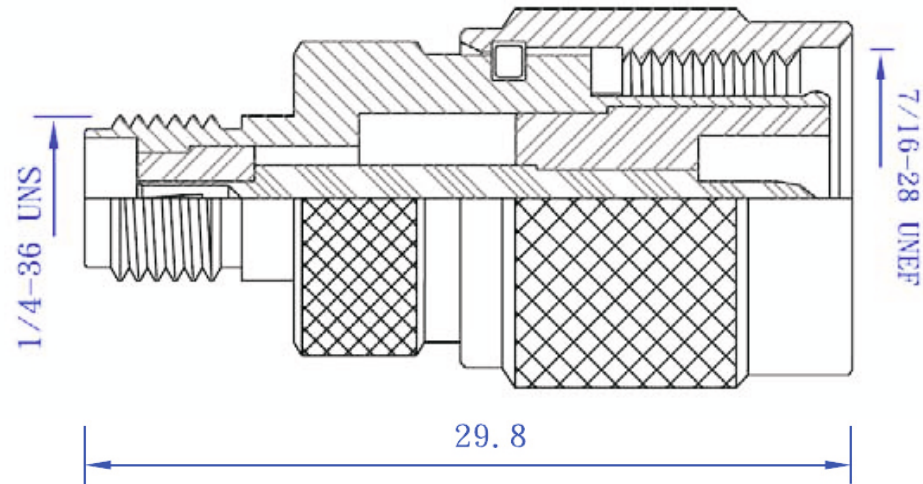


- NOTE: FINISH (PLATING THICKNESS IN MICRO-INCHES)
1. BODY: BRASS PER JIS-C3604
  2. INSULATION: TEFLON PER ASTM D1457 AND ASTM D1710
  3. CONNECTOR INTERFACE PER MIL-STD-348A
  4. PART TO BE CLEAN AND FREE BURRS
  5. NICKEL PL 70  $\mu$ " THICK OVER COPPER STRIKE
  6. GOLD PL 1-3  $\mu$ " OVER NICKEL PL 70  $\mu$ " THICK OVER COPPER STRIKE



4	Shell	Brass	Nickel
3	Insulator	Teflon	White
2	Contact	Brass	Gold
1	Body	Brass	Nickel
No	Description	Material	Finish