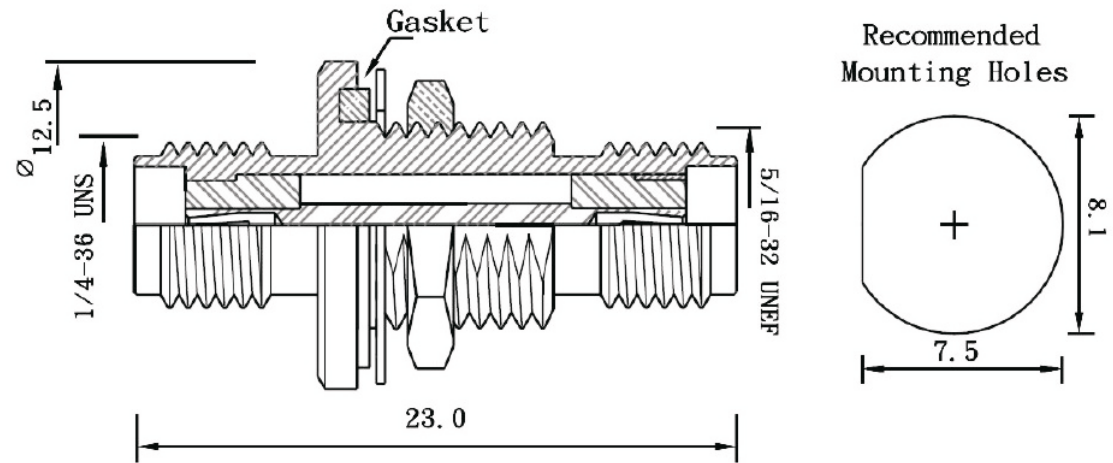


Impedance	50Ω
Frequency range	0-18 GHz(on semi-rigid cable) 0-12.4GHz(on flexible cable)
Voltage rating	RG-55,58,141,142,223,303: 500v: volts peak RG-122,174,188,316,375: 375 volts peak
VSWR (straight connectors)	RG-55 group: 1.15+0.011(GHz) RG-178 group: 1.20+0.251(GHz)
other (MIL-C-39012 cable connectors)	Contact resistance Center contact: 2.0 milliohm Body contact: 2.0 milliohm Insertion loss: 0.03/√f(GHz) dB max Insulation resistance: 5000 megohms(min)

NOTE: FINISH (PLATING THICKNESS IN MICRO-INCHES)

1. BRASS PER JIS-C3604
2. TEFLON MIL-P-19468
3. CONNECTOR INTERFACE PER MIL-STD-348A
4. PART TO BE CLEAN AND FREE BURRS
5. GOLD PL 1-3u" OVER NICKEL PL 70 u" THICK PLATING

6	Gasket	Rubber(JB005-114)	Red
5	Nut	Brass	Gold
4	Lock Washer	Steel(JB042-021)	Gold
3	Insulator	Teflon	White
2	Contact	PH/Bronze	Gold
1	Body	Brass	Gold
No	Description	Material	Finish



(IP68 WATERPROOF)