

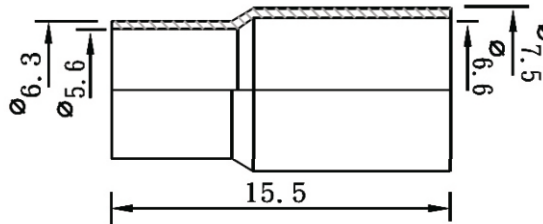
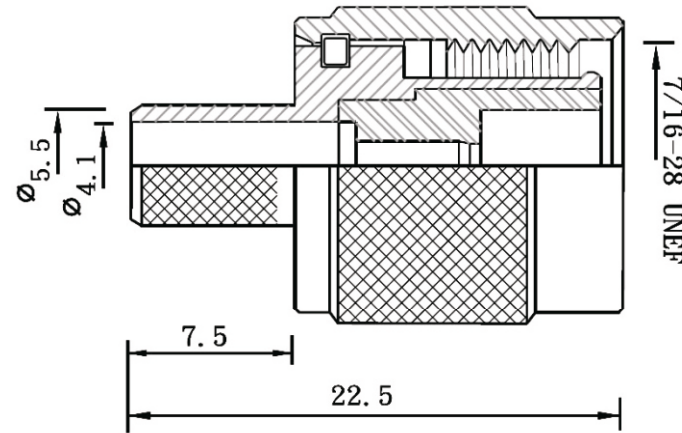
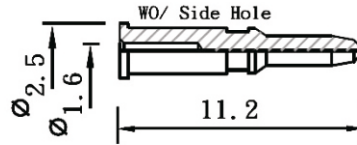


| | |
|--------------------------------------|--|
| Impedance | 50 Ω |
| Frequency Range | 0 to 4 GHz |
| Voltage Rating | 500 volts peak |
| Dielectric Withstanding Voltage | 1500 volts rms |
| VSWR | M39012 straight connectors: 1.3 max. 0-4GHz M39012 right angle: 1.3 max. 0-4GHz |
| Other (MIL-C-39012 Cable Connectors) | Contact resistance: center contact 1.5 milliohm outer contact 0.2 milliohm Insertion loss: 0.2db max at 3.0GHz Insulation resistance: 5000 mΩ(min) |

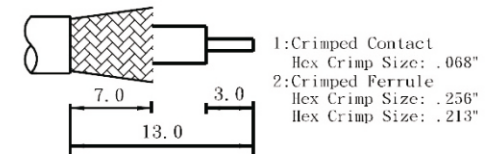
NOTE: FINISH (PLATING THICKNESS IN MICRO-INCHES)

1. BRASS PER JIS-C3604
2. CONNECTOR INTERFACE PER MIL-STD-348A
3. PART TO BE CLEAN AND FREE BURRS
4. NICKEL PL 70 μ" THICK OVER COPPER STRIKE
5. GOLD PL 1-3 μ" OVER NICKEL PL 70 μ" THICK OVER COPPER STRIKE

| | | | |
|----|-------------|----------|--------|
| 5 | Ferrule | Brass | Nickel |
| 4 | Shell | Brass | Nickel |
| 3 | Insulator | Delrin | White |
| 2 | Contact | Brass | Gold |
| 1 | Body | Brass | Nickel |
| No | Description | Material | Finish |



Recommended Cable Stripping



- 1: Crimped Contact
Hex Crimp Size: .068"
- 2: Crimped Ferrule
Hex Crimp Size: .256"
Hex Crimp Size: .213"