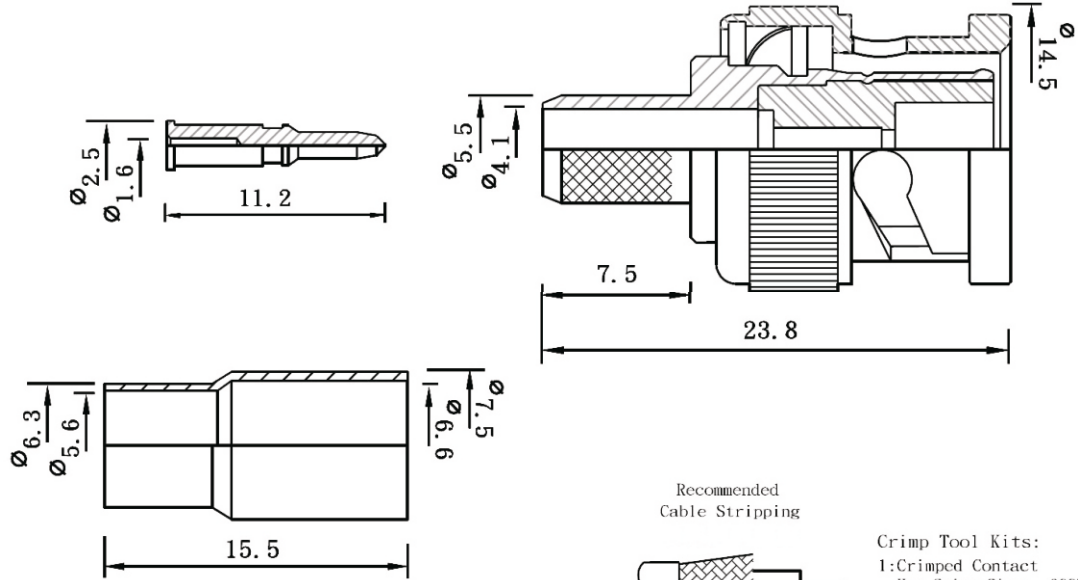
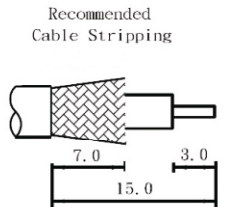


Electrical	
Impedance	50 Ω
Frequency range	0-4GHz
VSWR	≤ 1.2 typ
Test voltage	1500 volts rms
Working voltage	400 V rms
Voltage rating	500 volts peak
Power handling	≤ 80 W (2GHz)
Other (MIL-C-39012 Cable Connectors)	Contact resistance: center contact ≤ 1.5 mΩ outer contact ≤ 1 mΩ Insertion loss: ≤ 0.1x√f(GHz)dB Insulation resistance: ≥ 5000 mΩ
Material	
Mating cycles	≥ 500
Center contact captivation	axial: ≥ 27 N
Environmental	
Temperature range	-45°C + 85°C
Thermal shock	US MIL-STD 202, Meth. 107, Cond. B
Vibration	US MIL-STD 202, Meth. 204, Cond. B
Climatic class	IEC 60068 65/165/21
Shock	US MIL-STD 202, Meth. 213, Cond. B
Corrosion resistance	US MIL-STD 202, Meth. 101, Cond. B
Degree of protection (mated pair)	IEC 60529



NOTE: FINISH (PLATING THICKNESS IN MICRO-INCHES)  
 1. BODY/CONTACT: BRASS PER JIS-C3604  
 2. CONNECTOR INTERFACE PER MIL-STD-348A  
 3. PART TO BE CLEAN AND FREE BURRS  
 4. NICKEL PL 70 μ" THICK OVER COPPER STRIKE  
 5. GOLD PL 1- 3 μ" OVER NICKEL PL 70 μ" THICK OVER COPPER STRIKE



Crimp Tool Kits:  
 1: Crimped Contact  
 Hex Crimp Size: .068"  
 2: Crimped Ferrule  
 Hex Crimp Size: .256"  
 Hex Crimp Size: .213"

5	Ferrule	Brass	Nickel
4	Shell	Brass	Nickel
3	Insulator	Delrin	White
2	Contact	Brass	Gold
1	Body	Brass	Nickel
No	Description	Material	Finish