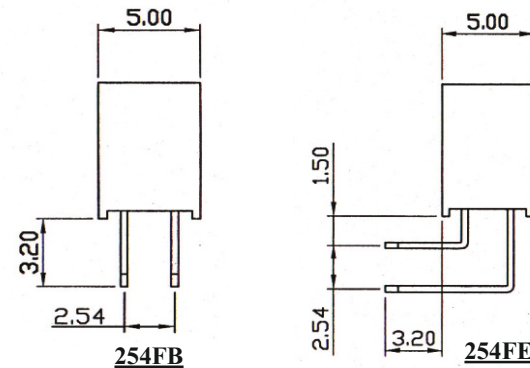
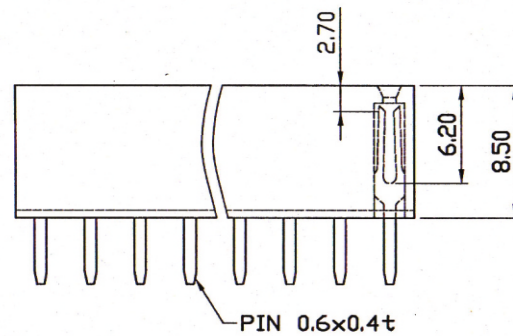


**SPECIFICATIONS**

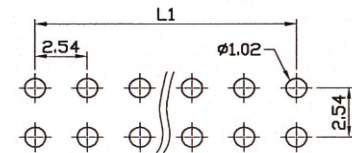
**Current Rating:** 3 Amp  
**Insulation Resistance:** 1000MΩ Min  
**Dielectric Withstanding:** 600V AC/DC  
**Contact Resistance:** 20mΩ Max.  
**Operating Temperature:** -40°C to +105°C

**MATERIALS**

**Contact Material:** Phosphor Bronze  
**Insulation Material:** Polyester, UL 94V-0  
P.B.T or Nylon-6T  
**Contact Plating:** Full Gold, Full Tin, Selective Plated  
**Standard:** Gold Flash all Over Nickel  
**All materials must be RoHS compliant.**



**DIMENSIONS:**  
L1 = 2.54 x (No. of Contacts-1)  
L2 = 0.5 + 2.54 x No. of Positions



**Recommended P.C.Board Layout**



Distributed by Conrad Electronic SE • Klaus-Conrad-Str. 1 • D-92240 Hirschau

**Datasheet**

Item no. 001580901

V1\_0617\_02