



| | |
|------------------------------|----------------------------|
| DATA SHEET | 53111000 |
| SKINTOP® ST-M / STR-M | valid from : 19.01.2016 |

The polyamide based SKINTOP® ST-M / STR-M is designed for universal use, above all for functional safety in manufacturing of machines and equipment, in measurement and control technology and automation technology, as well as in the electronic technology and in manufacturing of robots.



Components:

| | |
|----------------------------|-------------------------------|
| Gland body | Polyamide, V-2 acc. to UL 94 |
| Cap nut | Polyamide, V-2 acc. to UL 94 |
| Sealing ring | CR (ozone- and UV-resistant) |
| O-Ring (M40x1,5 - M63x1,5) | NBR (ozone- and UV-resistant) |

Technical features:

| | |
|--|--|
| Connecting thread | M12x1,5 up to M63x1,5 acc. to EN 60423 |
| Functional thread | Multi-start trapezoidal thread |
| Protection class IP / NEMA Enclosure types | IP68 – 5 bar/30 min, test acc. to EN 60529 IP69 acc. to EN 60529 NEMA Type 1 and Type 12 |
| Strain relief: | Kat. A acc. to EN 50262 |
| Temperature range: | Dynamic -20 °C up to +100 °C Statically -40 °C up to +100 °C |
| Design | ST-M standard STR-M with reducing sealing ring (for smaller cable diameters) |
| Colour | RAL 7001 silver-grey RAL 7035 light-grey RAL 9005 black, UV-resistant |

Other characteristics:

Permanent vibration protection
Optimal strain relief
Large variable clamping ranges
M40 - M63 with O-ring

Approvals:



File Nr. 79903

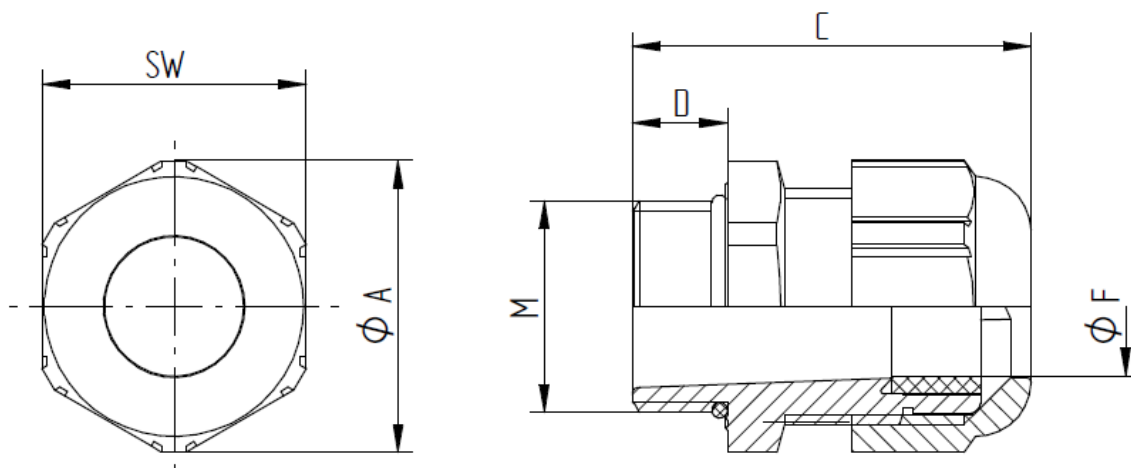
Norm references:



For more information please see our current catalogue.

| | | |
|------------------------------------|---------------------------|-------------|
| elaborated by: PDP: T. Dvoulety | Document: DB53111000_10EN | page 1 of 2 |
|------------------------------------|---------------------------|-------------|

| | |
|------------------------------|----------------------------|
| DATA SHEET | 53111000 |
| SKINTOP® ST-M / STR-M | valid from : 19.01.2016 |



SKINTOP® ST-M

| M | SW [mm] | Ø A [mm] | C [mm] | | D [mm] | Ø F [mm] Clamping range | O-Ring [mm] | Article No. | | |
|---------|---------|----------|--------|------|--------|----------------------------|-------------|-------------|----------|----------|
| | | | min. | max. | | | | RAL 7001 | RAL 7035 | RAL 9005 |
| M12x1,5 | 15 | 16,6 | 26,5 | 30 | 8 | 4,5 - 7 | - | 53111000 | 53111400 | 53111200 |
| M16x1,5 | 19 | 21,1 | 29 | 34 | 8 | 4 - 10 | - | 53111010 | 53111410 | 53111210 |
| M20x1,5 | 25 | 27,6 | 34 | 37 | 9 | 6,5 - 12 | - | 53111020 | 53111420 | 53111220 |
| M25x1,5 | 30 | 33,6 | 35 | 40 | 10 | 10 - 17 | - | 53111030 | 53111430 | 53111230 |
| M32x1,5 | 36 | 40,3 | 39 | 47 | 10 | 10 - 21 | - | 53111040 | 53111440 | 53111240 |
| M40x1,5 | 46 | 51,6 | 43 | 52 | 10 | 15 - 28 | 36 x 2 | 53111050 | 53111450 | 53111250 |
| M50x1,5 | 55 | 61,6 | 54 | 62 | 12 | 22 - 34 | 46 x 2 | 53111060 | 53111460 | 53111260 |
| M63x1,5 | 66 | 73,9 | 59 | 71 | 12 | 34 - 45 | 57 x 2 | 53111070 | 53111470 | 53111270 |

SKINTOP® STR-M

| M | SW [mm] | Ø A [mm] | C [mm] | | D [mm] | Ø F [mm] Clamping range | O-Ring [mm] | Article No. | | |
|---------|---------|----------|--------|------|--------|----------------------------|-------------|-------------|----------|----------|
| | | | min. | max. | | | | RAL 7001 | RAL 7035 | RAL 9005 |
| M12x1,5 | 15 | 16,6 | 26,5 | 30 | 8 | 1 - 5 | - | 53111100 | 53111500 | 53111300 |
| M16x1,5 | 19 | 21,1 | 29 | 34 | 8 | 2 - 7 | - | 53111110 | 53111510 | 53111310 |
| M20x1,5 | 25 | 27,6 | 34 | 37 | 9 | 5 - 10 | - | 53111120 | 53111520 | 53111320 |
| M25x1,5 | 30 | 33,6 | 35 | 40 | 10 | 6 - 13 | - | 53111130 | 53111530 | 53111330 |
| M32x1,5 | 36 | 40,3 | 39 | 47 | 10 | 7 - 15 | - | 53111140 | 53111540 | 53111340 |
| M40x1,5 | 46 | 51,6 | 43 | 52 | 10 | 15 - 23 | 36 x 2 | 53111150 | 53111550 | 53111350 |
| M50x1,5 | 55 | 61,6 | 54 | 62 | 12 | 22 - 29 | 46 x 2 | 53111160 | 53111560 | 53111360 |
| M63x1,5 | 66 | 73,9 | 59 | 71 | 12 | 28 - 39 | 57 x 2 | 53111170 | 53111570 | 53111370 |



| | |
|--------------------------|----------------------------|
| DATA SHEET | 53119000 |
| SKINTOP® GMP-GL-M | valid from : 30.05.2016 |

The SKINTOP® GMP-GL-M, a hexagonal locknut of glass-fibre reinforced polyamide, is used where cable glands are attached but there is only a pass-through hole.

When the cable gland is fixed in a thread, a higher protection against vibration can be attained with this locknut.



Technical features:

| | |
|-------------------|---|
| Material | Polyamide glass-fibre reinforced, HB acc. to UL 94 |
| Sizes | M12x1,5 up to M63x1,5 acc. to EN 60423 |
| Temperature range | Dynamic -20 °C up to +100 °C Statically -40 °C up to +100 °C |
| Colour | RAL 7001 silver-grey RAL 7035 light-grey RAL 9005 black, UV-resistant |

Approvals:



UL File Nr. E79903

Norm references:



Note:

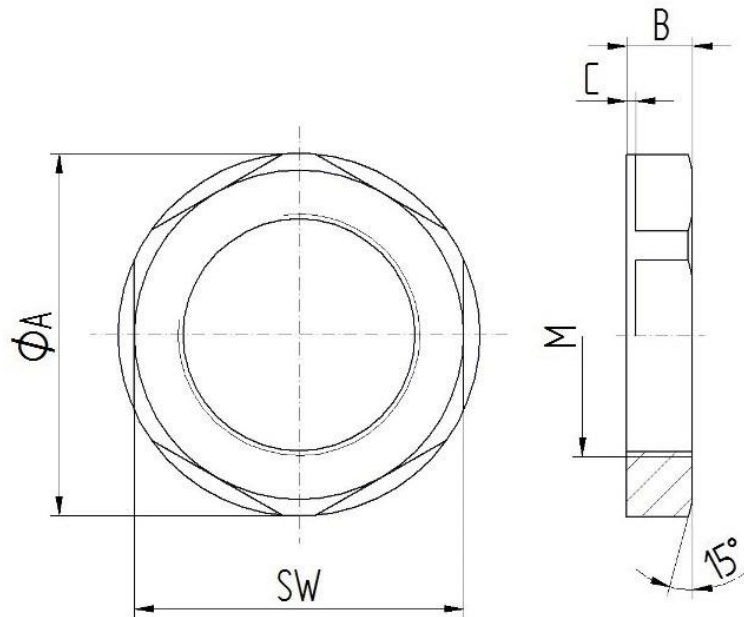
SKINTOP® GMP-GL can be at request also delivered without a collar.

SKINTOP® GMP-GL is UL-approved only by use with the UL-approved SKINTOP® polyamide cable glands.

For more information please see our current catalogue.

| | | |
|-----------------------------------|---------------------------|-------------|
| elaborated by: PDP: M. Wegerer | Document: DB53119000_06EN | page 1 of 2 |
|-----------------------------------|---------------------------|-------------|

| | |
|--------------------------|----------------------------|
| DATA SHEET | 53119000 |
| SKINTOP® GMP-GL-M | valid from : 30.05.2016 |



| M | SW [mm] | ϕA [mm] | B [mm] | C [mm] | Article No. RAL 7001 | Article No. RAL 9005 | Article No. RAL 7035 |
|---------|---------|---------------|--------|--------|----------------------|----------------------|----------------------|
| M12x1,5 | 17 | 18,7 | 5 | 0,8 | 53119000 | 53119100 | 53119003 |
| M16x1,5 | 22 | 24,2 | 5 | 0,8 | 53119010 | 53119110 | 53119013 |
| M20x1,5 | 27 | 29,7 | 6 | 0,9 | 53119020 | 53119120 | 53119023 |
| M25x1,5 | 34 | 37,4 | 6 | 0,9 | 53119030 | 53119130 | 53119033 |
| M32x1,5 | 41 | 45,1 | 7 | 1 | 53119040 | 53119140 | 53119043 |
| M40x1,5 | 50 | 55 | 7 | 1 | 53119050 | 53119150 | 53119053 |
| M50x1,5 | 60 | 66 | 8 | 1,2 | 53119060 | 53119160 | 53119063 |
| M63x1,5 | 75 | 82,5 | 8 | 1,2 | 53119070 | 53119170 | 53119073 |