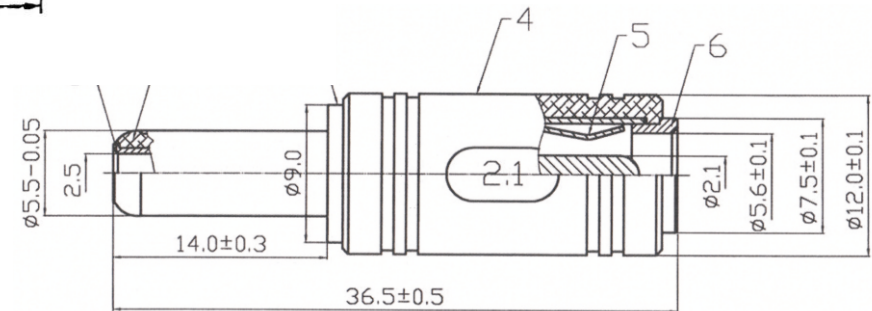


Max. Belastbarkeit
 Adapter: 12V/5A
 Verteiler: 20V/2A



| ITEM | DESIGNATION | MATERIAL |
|------|----------------|----------|
| 6 | FEMALE PART | Cu |
| 5 | SPRING PATCH | Cu |
| 4 | PLASTIC HANDLE | PVC |
| 3 | BODY | Cu |
| 2 | DIELECTRIC | POM |
| 1 | INSIDE TUBE | Cu |