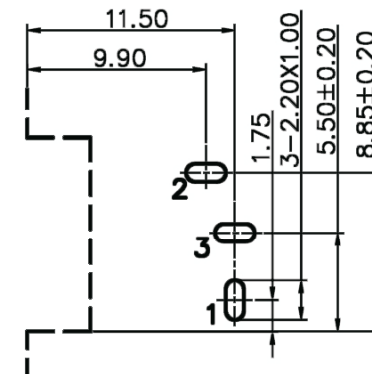
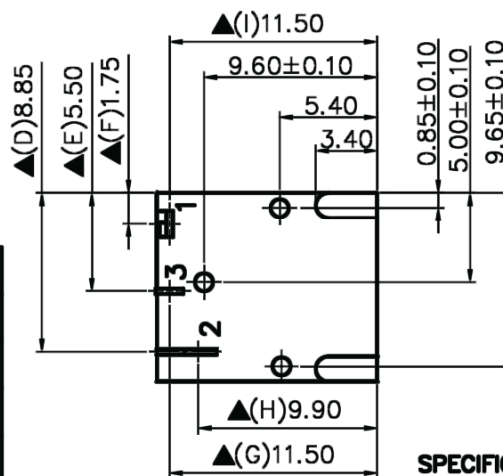


SCHEMATIC	
	MOEL NO C

NO.	Description	Material	Q'TY	Finish
5.	Pin(2.0φ)	Copper	1	Nickel Plated
4.	Housing	PBT	1	Black color
3.	Break Terminal	0.4T Brass	1	Silver Plated
2.	Sleeve Spring	0.3T Phosphor Bronze	1	Silver Plated
1.	Pin Terminal	0.3T Brass	1	Silver Plated



Pin Hole Layout
(Jack Bottom View)

SPECIFICATIONS:
 Contact Resistance : 30mΩ max
 Current Rating : Max 5.0A , 24V DC
 Insulation Resistance : 100MΩ min. at DC 500V
 Dielectric Withstanding Voltage: AC 500V for one minute



Distributed by Conrad Electronic SE • Klaus-Conrad-Str. 1 • D-92240 Hirschau

Datasheet

Item no. 001582613

V1_0617_02