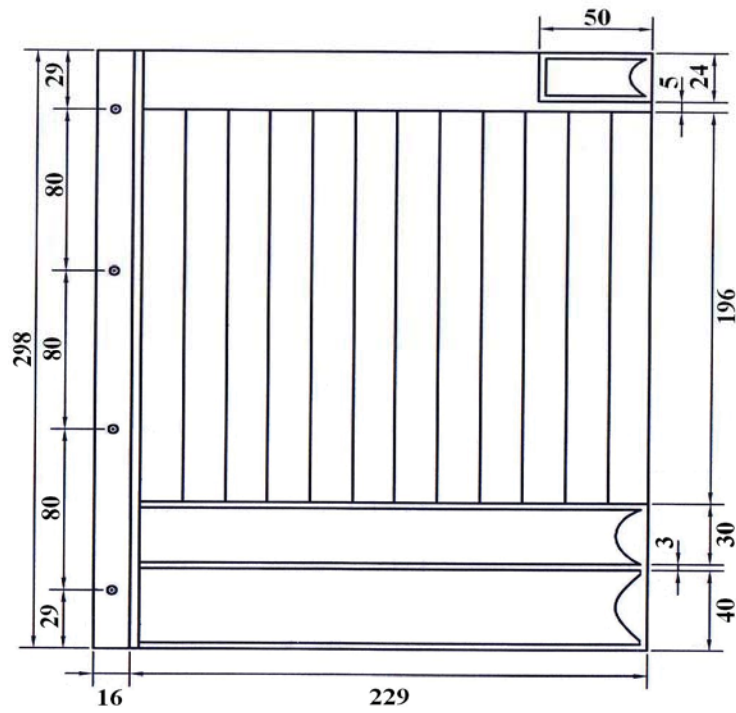


## KIT Chip (Insert and Album) (No resistor)

1. Kit resistors :

1.1 Insert for Chip Kit

Dimension (mm)



## Part Number System

### Explanation of Part Number System

#### KIT Chip (Insert and Album) (No resistor)

<b>1</b>	<b>2</b>	<b>3</b>	<b>4</b>	<b>5</b>	<b>6</b>	<b>7</b>	<b>8</b>	<b>9</b>	<b>10</b>	<b>11</b>	<b>12</b>	<b>13</b>	<b>14</b>
0	0	0	0	0	0	0	0	0	0	0	K	I	N

**Product Type:**  
0 = Chip folder

**Special Feature:**  
0000000000 = Standard Product

**Special Feature:**  
Fill-in these 3 digits with the chip resistor types as follows:

- KIT: Kit resistor (with resistor)
- KON: Album only (no resistor)
- KIL: Index Only
- KIN: Insert Only
- KIC: Insert and Album (no resistor)

Sample : KIT Chip (Insert Only) (No resistor) → 0000000000KIN

This is a publication by Conrad Electronic SE, Klaus-Conrad-Str. 1, D-92240 Hirschau (www.conrad.com).

All rights including translation reserved. Reproduction by any method, e.g. photocopy, microfilming, or the capture in electronic data processing systems require the prior written approval by the editor. Reprinting, also in part, is prohibited. This publication represents the technical status at the time of printing.

© Copyright 2017 by Conrad Electronic SE.