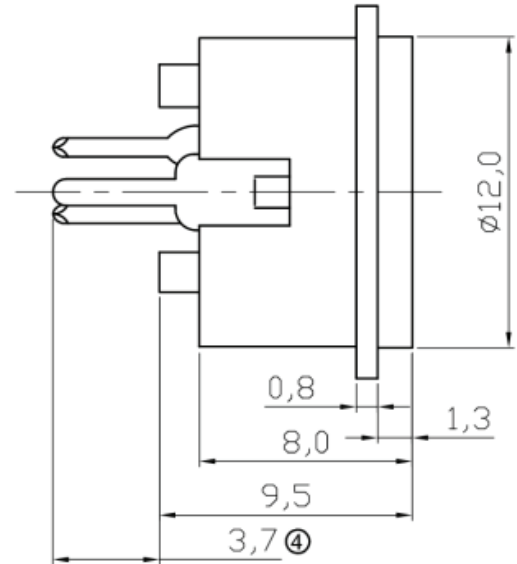
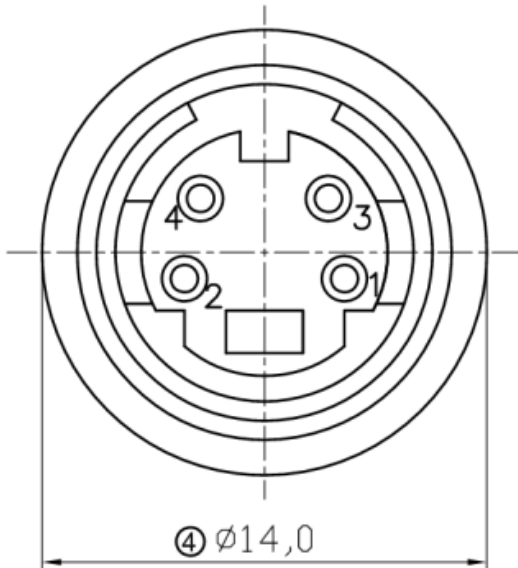


Datasheet

Item no. 1586248

V1_0617_02_EN



1. Material:

Contacts: Phosphor Bronze
 Insulator: PBT+30%G.F UL 94V-0 Black
 Shell: Brass

2. Mechanical:

Mating Force: 45N max.
 Withdrawal Force: 7N min.
 Durability: 500 cycles min.

3. Electrical:

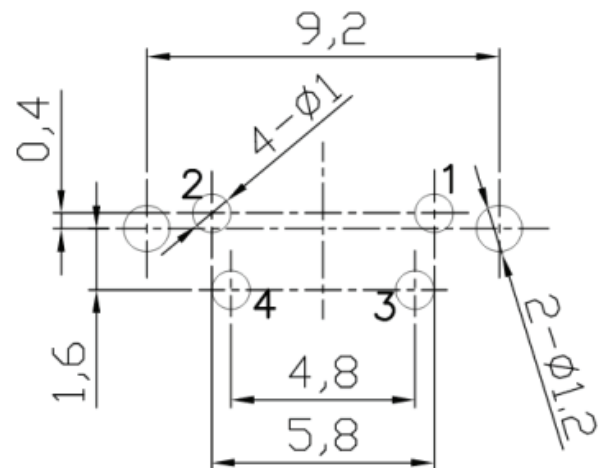
④ Current-max[amps] 1.0A
 voltage-max[volts] 30V
 Withstanding Voltage 750V AC
 Contact Resistance[ohms] 30 milliohms max
 Insulation Resistance[ohms] 1000 Megohms min

4. Plating:

Contacts: Full Gold Flash

5. Environmental

Temperature Range -25°C~ +85°C



Recommended PCB Layout ⑤
 Top View Tolerance(±0,05)

RoHS compliant
 Unit: mm