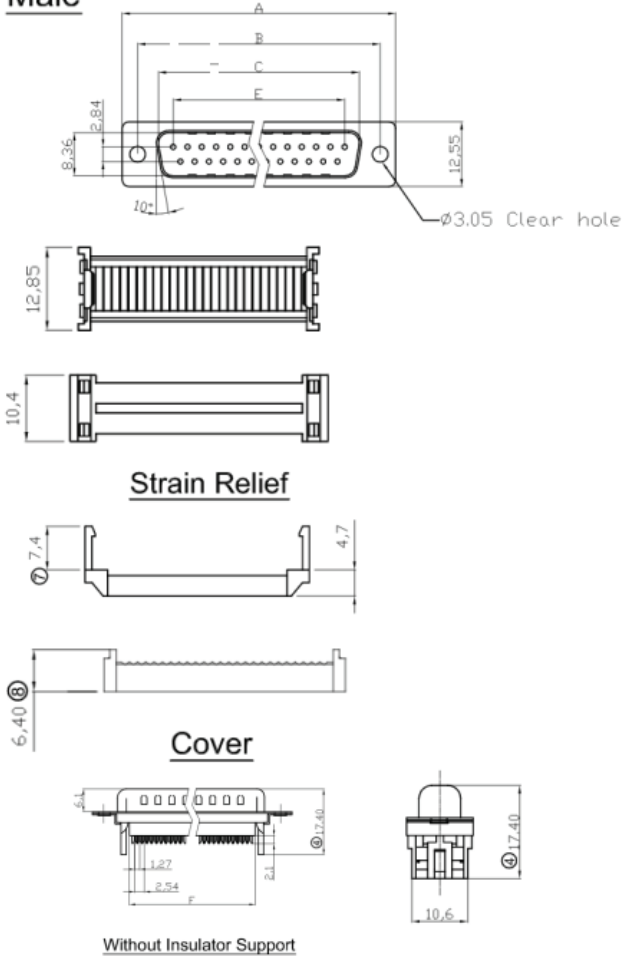


Datasheet

Item no. 1586446

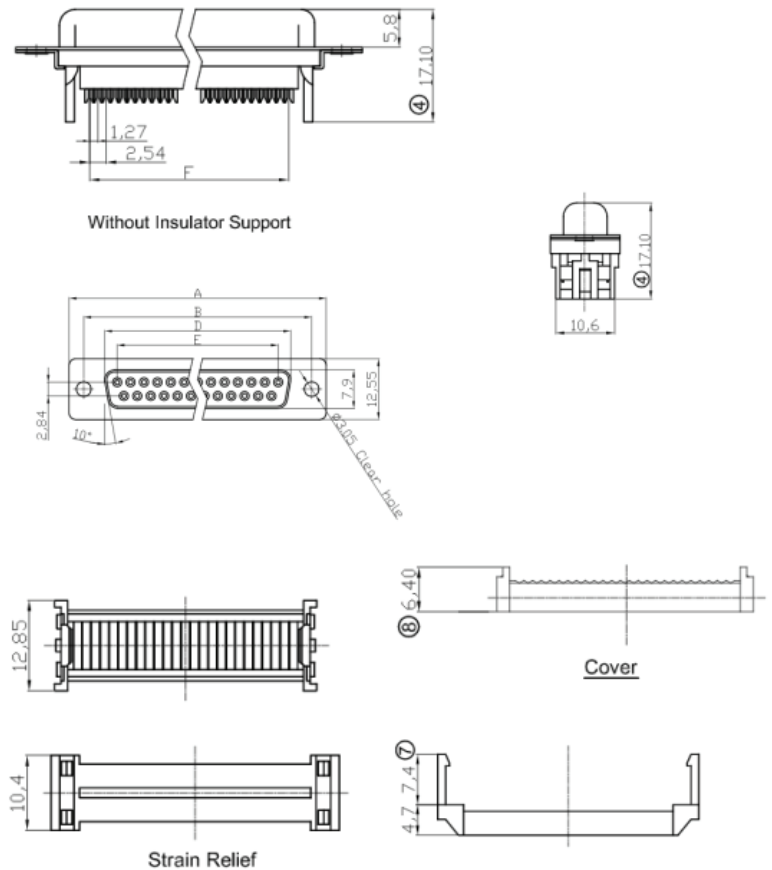
V1_0617_02_EN

Male



Dimensions	A	B	C	E	F	
Positions	9	30.81	24.99	16.92	11.08	13.10

Female



Dimensions	A	B	D	E	F	
Positions	9	30.81	24.99	16.33	11.08	10.16

Product Specification

Material

Insulator : Glass-Filled Thermoplastic PBT, UL94V-0,Black
 Contact : Copper alloy, plating gold flash selective gold
 Shell : Steel, 100u" Tin Over 50u" min Copper

Electrical

Contact Resistance : 20 milliohms Max at 1 AMP DC.
 Insulation Resistance : 1000 megohms at 500 VDC
 Dielectric Withstanding Voltage : 1000 VAC/rms 60Hz for 1 minute
 Current Rating : 3 AMP
 Voltage Rating : 250 VAC/rms 60Hz

③ Wire Spec : 26 AWG-28 AWG
 ⑥ Operating Temperature: -55°C--+105°C

⑤ UL E No #E198287

RoHS compliant

Unit: mm

NOTES:

MATERIAL

1. Insulator Material: Glass-Filled Thermoplastic PBT, UL 94V-0
 2. Contact Material : Copper alloy
 3. Shell : SPOC
 4. Plating : Selective Gold Flash
- #### ELECTRICAL
1. Current Rating : 3 AMP
 2. Voltage Rating : 250 V AC/rms 60 Hz
 3. Contact Resistance: 20mΩ max at 1 AMP DC
 4. Insulation Resistance: 1000MΩ at 500 VDC
 5. Withstand Voltage : 1000V AC/rms 60Hz for 1 minute
 6. Wire Spec : 26 AWG-28 AWG
 7. Operating Temperature: -55 °C+105°C
- UL E No #E198287

RoHS compliant

Unit:mm