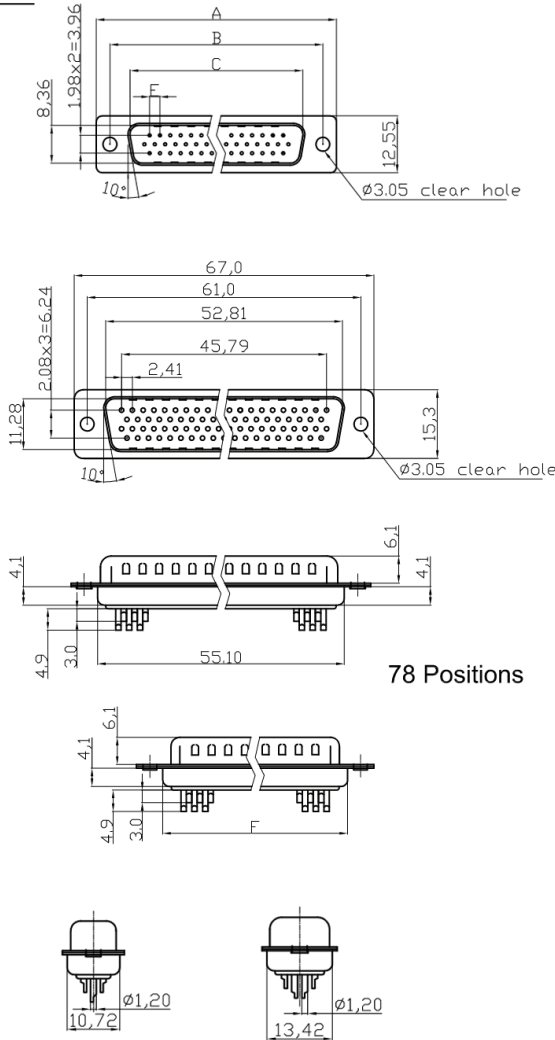
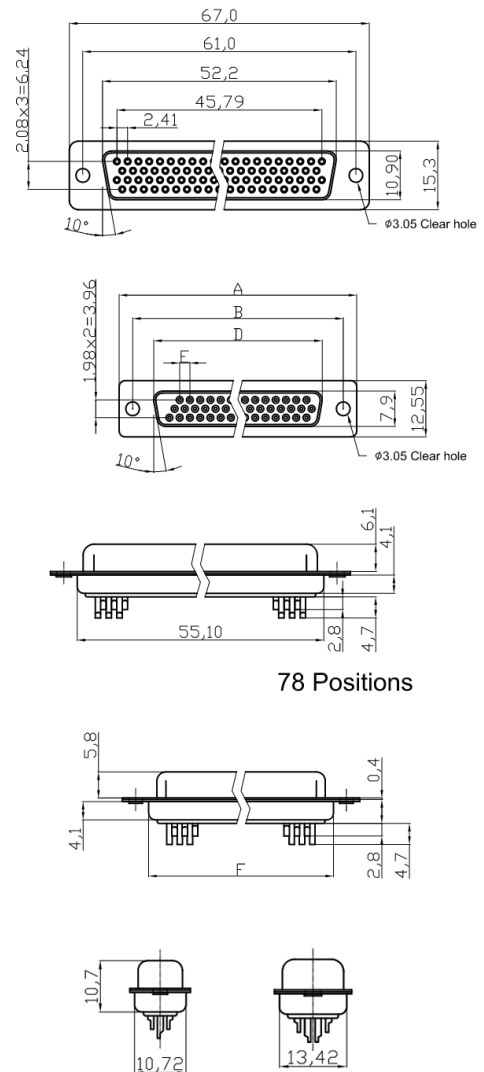


## Male



## Female



### Dimensions

Positions	A	B	C	E	F
26	39.20	33.30	25.25	2.29	27.70

### Dimensions

Positions	A	B	D	E	F
26	39.20	33.30	24.70	2.29	27.70

### Product Specification

#### Material

Insulator :Glass-Filled Thermoplastic PBT,UL94V-0 rated,Black  
 Contact :Copper alloy, Gold flash selective gold plating  
 Shell : Steel, 100u" Tin Over 50u" min Copper

#### Electrical

Contact Resistance :20 milliohms Max at 1 AMP DC.  
 Insulation Resistance :1000magohms at 500 VDC  
 Dielectric Withstanding Voltage :1000 VAC/rms 60Hz for 1 minute  
 Current Rating : 3 AMP  
 Volatge Rating :250 VAC/rms 60Hz  
 Operating Temperature: -20°C ~ +85°C

### NOTES:

#### MATERIAL

Insulator Material:Glass-filled thermoplastic PBT,UL94V-0 rated,Black  
 Contact Material:Copper alloy, Gold flash selective gold plating  
 Shell :Steel, 100  $\mu$ " Tin Over 50 $\mu$ " min Copper

#### Electrical

Contact Resistance :20 milliohms Max at 1 AMP DC.  
 Insulation Resistance :1000magohms at 500 VDC  
 Dielectric Withstanding Voltage:1000 VAC/rms 60Hz for 1 minute  
 Current Rating :3 AMP  
 Volatge Rating :250 VAC/rms 60Hz  
 Operating Temperature: -20°C+85°C