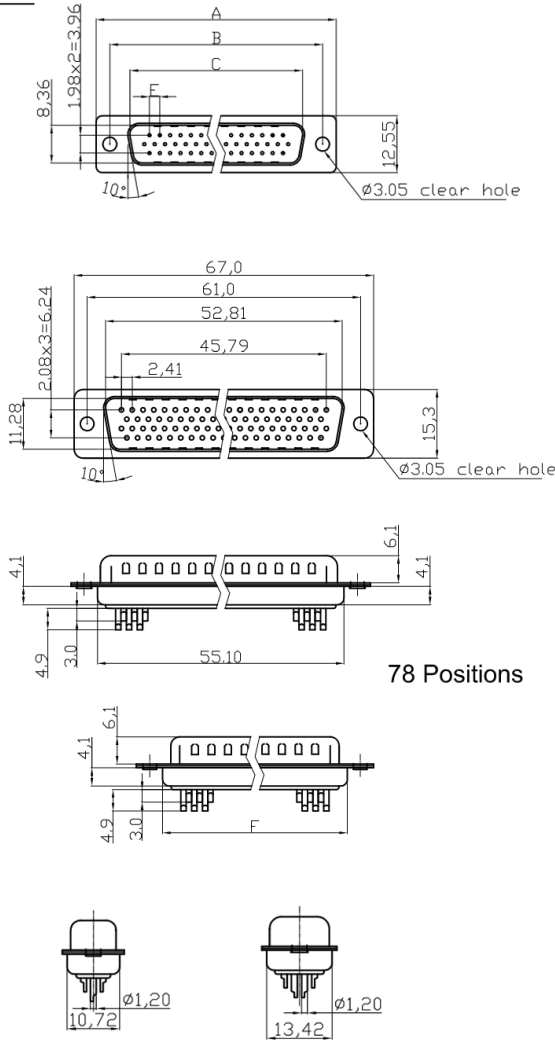
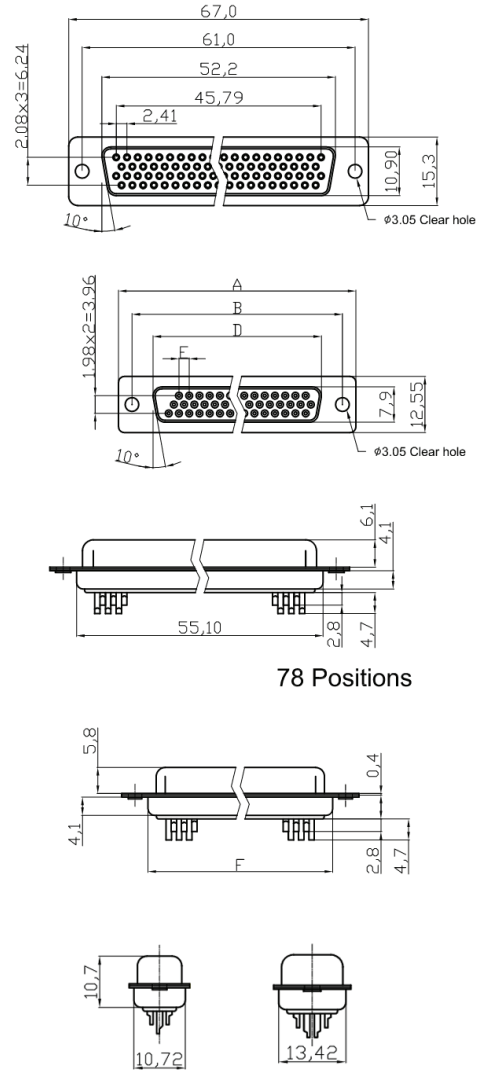


Male



78 Positions

Female



78 Positions

Dimensions

Positions	A	B	C	E	F
15	30.81	24.99	16.92	2.29	19.20

Dimensions

Positions	A	B	D	E	F
15	30.81	24.99	16.33	2.29	19.20

Product Specification

Material

Insulator :Glass-Filled Thermoplastic PBT,UL94V-0 rated,Black
 Contact : Copper alloy, Gold flash selective gold plating
 Shell : Steel, 100µ" Tin Over 50µ" min Copper

Electrical

Contact Resistance :20 milliohms Max at 1 AMP DC.
 Insulation Resistance :1000 magohms at 500 VDC
 Dielectric Withstanding Voltage :1000 VAC/rms 60Hz for 1 minute
 Current Rating : 3 AMP
 Volatge Rating :250 VAC/rms 60Hz
 Operating Temperature: -20°C ~ +85°C

NOTES:

MATERIAL

Insulator Material:Glass-filled thermoplastic PBT,UL94V-0 rated,Black
 Contact Material:Copper alloy, Gold flash selective gold plating
 Shell :Steel, 100 µ" Tin Over 50µ" min Copper

Electrical

Contact Resistance :20 milliohms Max at 1 AMP DC.
 Insulation Resistance :1000magohms at 500 VDC
 Dielectric Withstanding Voltage:1000 VAC/rms 60Hz for 1 minute
 Current Rating :3 AMP
 Volatge Rating :250 VAC/rms 60Hz
 Operating Temperature: -20°C+85°C