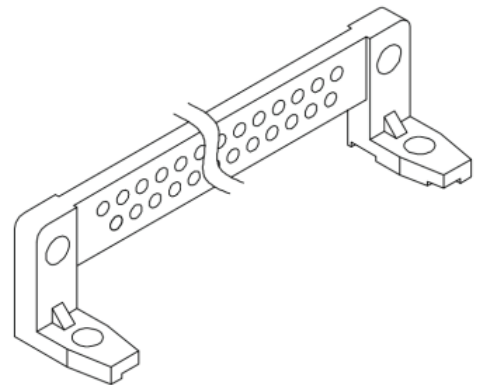
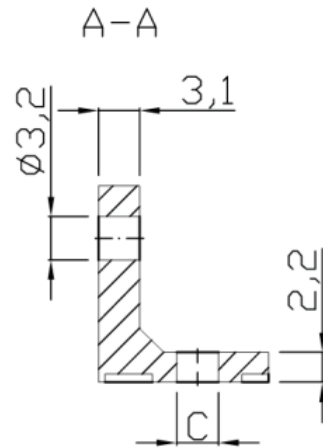
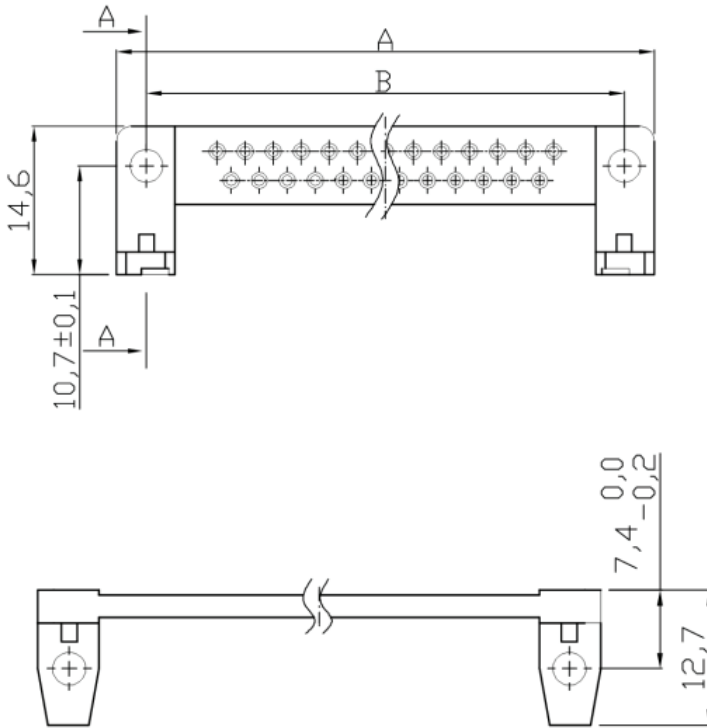


Datasheet

Item no. 1586500

V1_0617_02_EN



Dimensions

Positions	A	B	C
09	30.9	25	$\phi 4.1$

Material: PBT GF UL 94V-0 ,Black

RoHS compliant