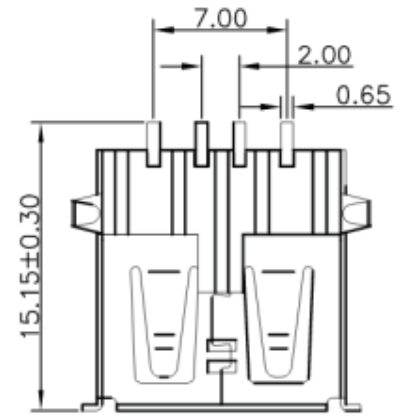
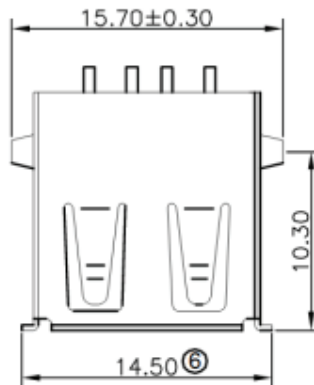
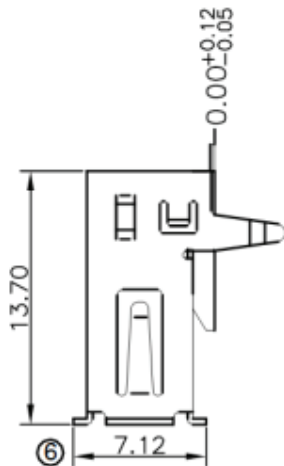
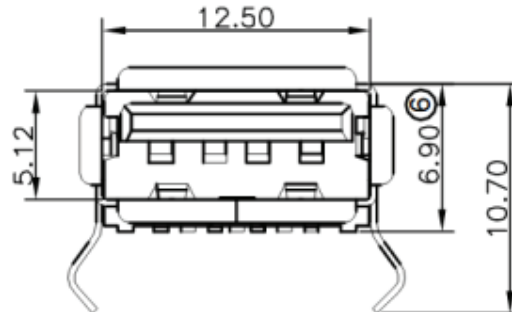
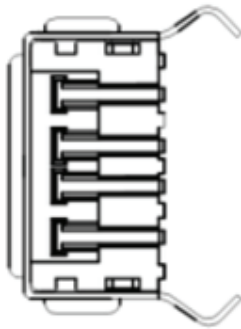


# Datasheet

Item no. 1586504

V1\_0617\_02\_EN



## NOTES:

### 1. Material:

- 1.1 Housing: LCP+30%GF UL94V-0, Color White
- 1.2 Shell: Brass
- 1.3 Contact :Phosphor Bronze

### 2. FINISH:

- 2.1 Contact Area: Gold Flash
- Solder Area: Tin Plated
- Under: Ni Plated

### 3. MECHANICAL:

- 3.1 Mating Force: 3.57kgf Max.
- 3.2 Unmating Force: 1.02kgf Min
- 3.3 Durability: 1500 cycles Min

### 4. ELECTRICAL:

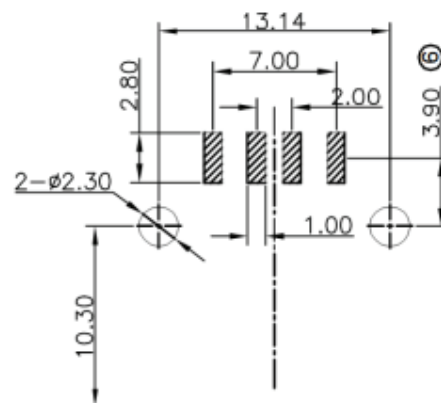
- 4.1 Current Rating: 1.5A
- 4.2 Dielectric Strength: 500V AC FOR 1 MINUTE
- 4.3 Contact Resistance: 30mΩ Max
- 4.4 Insulation Resistance: 1000 MΩ Min

5. Operating Temperature: -55°C to +85°C

6. Soldering Temperature: +260°C, 10s max.

### 7. PACKIING:

- A-USB A/SMT: Tray
- A-USB A/SMT-R: Tape&Reel



RECOMMENDED P.C.B LAYOUT

**RoHS compliant**

Unit: mm