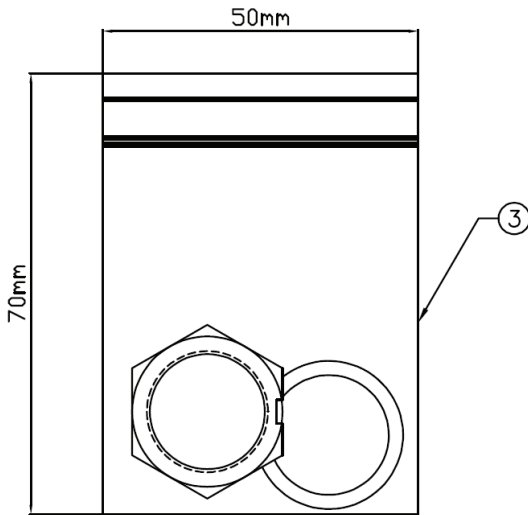
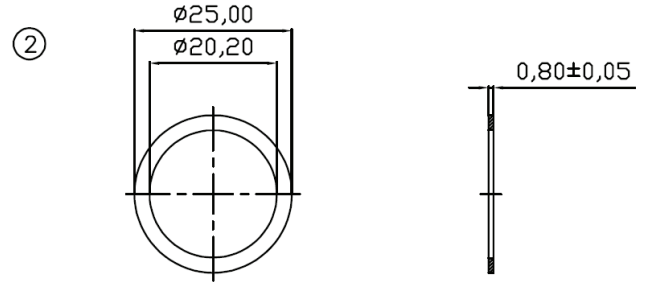
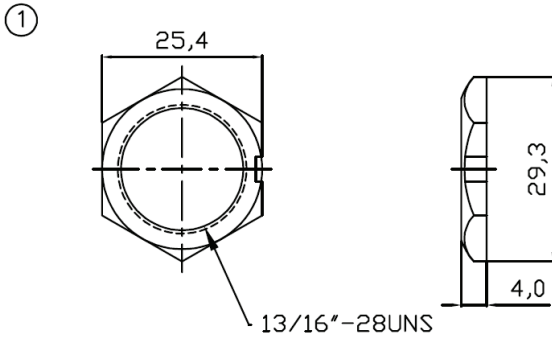


Datasheet

Item no. 1586506

V1_0617_02_EN



3	PE Bag		1# transparent	1
2	Gasket	Black	EPDM	1
1	Nut	Black	Nylon+GF	1
NO	NAME	COLOR	SPECIFICATION	QTY

RoHS compliant

Unit: mm