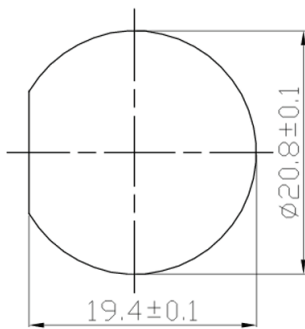
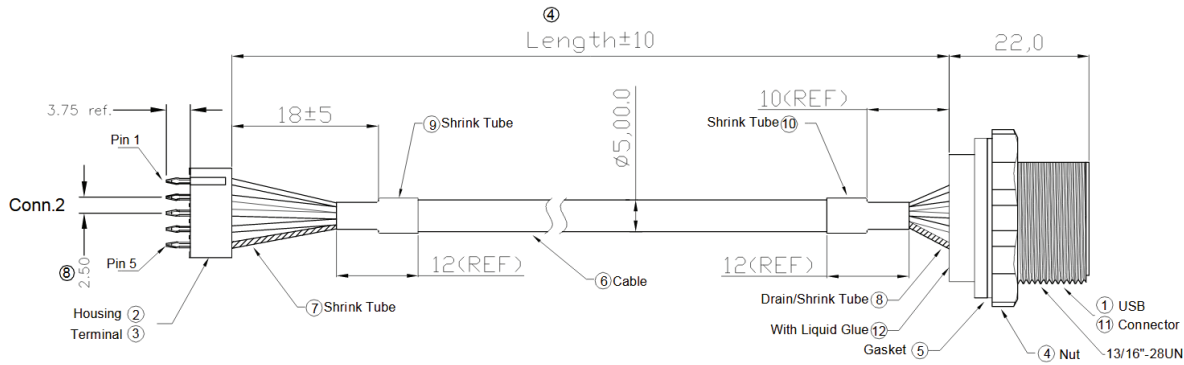


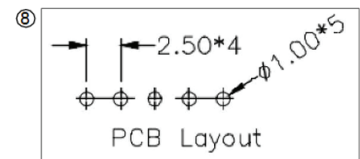
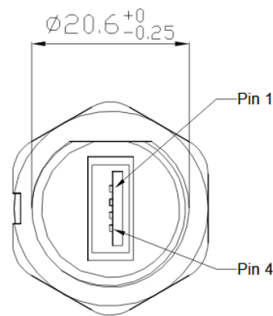
# Datasheet

Item no. 1586508

V1\_0617\_02\_EN



Recommended Panel Cut-Out



**Note:**

- 1.Connector: ABS 94V-0. Black
- 2.USB: USB A Type, Female Solder
- 3.Housing: 25020101-05
- 4.Cable: USB2.0 28AWGx1P+24AWGx2C+AL.My+D+B  
UV Resistant, Black,OD=5.0mm
- ⑦ 5.Operate temperature: -20°C ~ 80°C
- ⑨ 6.The current rating: 1.5A

**RoHS compliant**

|         |              |         |
|---------|--------------|---------|
| 5       | Drain(28AWG) | Shelled |
| 4       | Black(24AWG) | 4       |
| 3       | Green(28AWG) | 3       |
| 2       | White(28AWG) | 2       |
| 1       | Red(24AWG)   | 1       |
| Conn.2  | Wire Color   | Conn.1  |
| Pin Out |              |         |