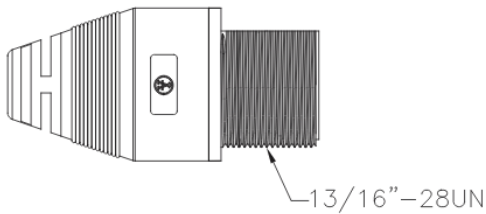
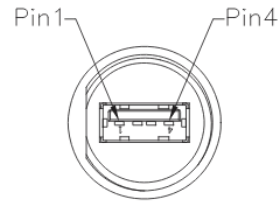
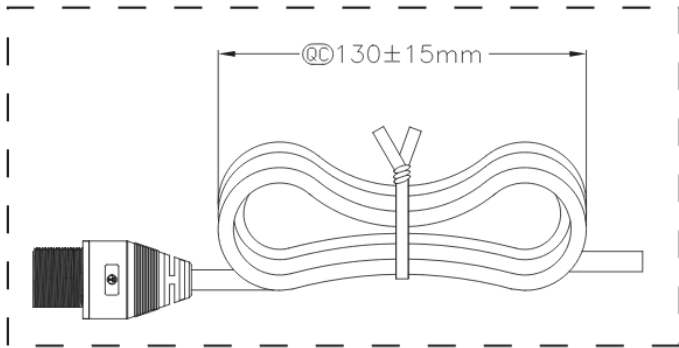
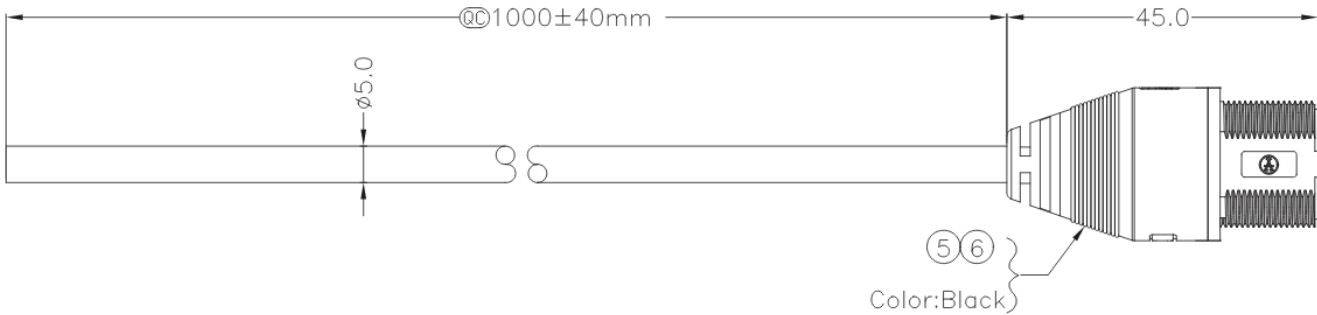


# Datasheet

Item no. 1586510

V1\_0617\_02\_EN



### Pin Out

Wire Color	Conn.
Black	4
Green	3
White	2
Red	1
Drain	Shield

Twist

### Note:

- IP67 waterproof rated
- Connector: Black, ABS
- USB: USB-A Female solder
- Cable: USB2.0 28AWG\*1P+24AWG\*2C+AL.My+D+B  
UV Resistant, Black, OD=5.0mm

Unit: mm

