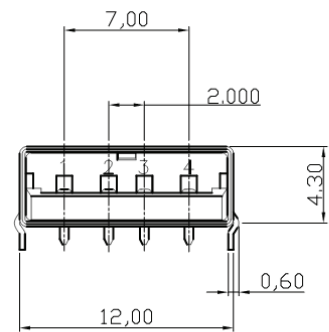


Recommended PCB Layout

**NOTES:**

1. Insulation: Glass Filled Nylon 9T UL94V-0, Color Black
2. Contact : Brass
3. Plating : Selective Gold Flash over 50µ" Nickel
4. Shell Plating: Steel , 50µ" Nickel over 100µ" Cu
5. Packing: Tube



**RoHS compliant**

Unit: mm