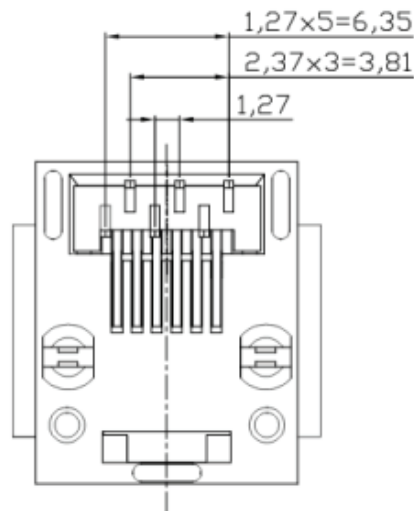
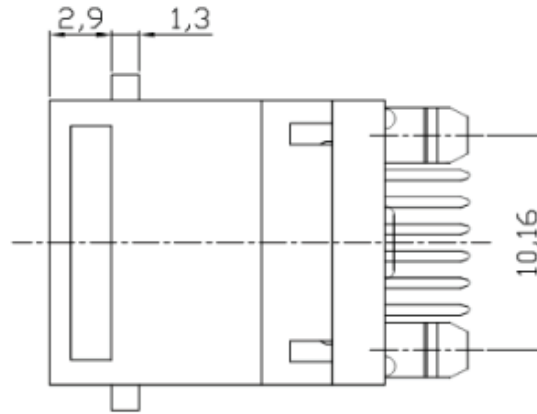
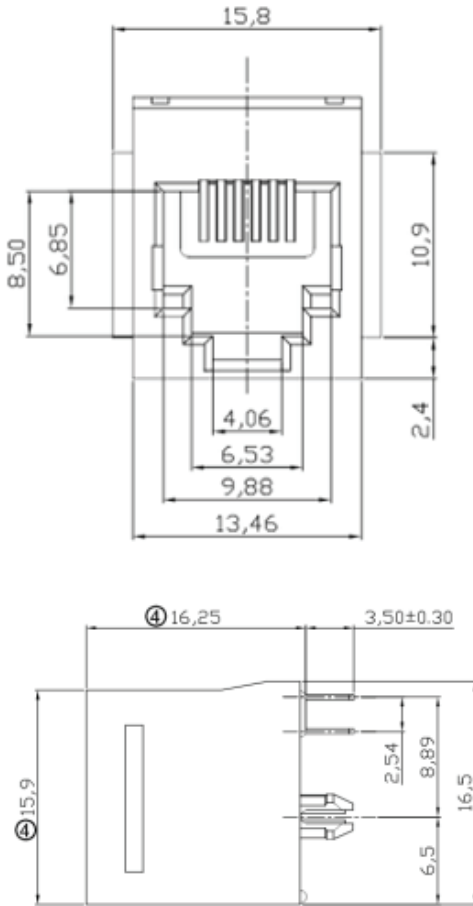


# Datasheet

Item no. 1586528

V1\_0617\_02\_EN



**NOTES:**

**Mechanical:**

1. Housing&Insert material : PBT UL94V-0 , Color: Black
2. Contact material: Phosphor Bronze t=0.35mm
3. Contact plating: 6u" Gold on contact area  
100~200u" Tin on solder area  
all over 30~50u" Nickel
4. Operating Life: 1000 Cycles min.
5. PCB Retention Pre-solder: 1 LB min.
6. PCB Retention Post-solder: 10 LBS min.

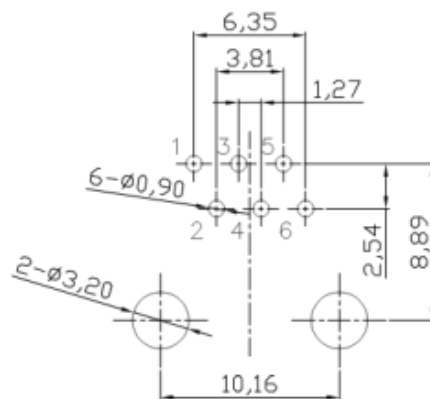
**Electrical:**

1. Voltage Rating: 125VAC.
2. Current Rating: 1.5AMP.
3. Contact Resistance: 30mΩ max.
4. Insulation Resistance: 1000MΩ min. @ 500 VDC
5. Dielectric Strength: 750 VAC 50Hz, 1 min.

**Environmental:**

1. Storage: -40°C To +85°C
2. Operation: -40°C~+85°C
3. Wave Soldering Temp: 200~220°C(5~10S)

Packing: Tray



**PC Board Layout  
Component Side Shown**

**RoHS compliant**

Unit: mm