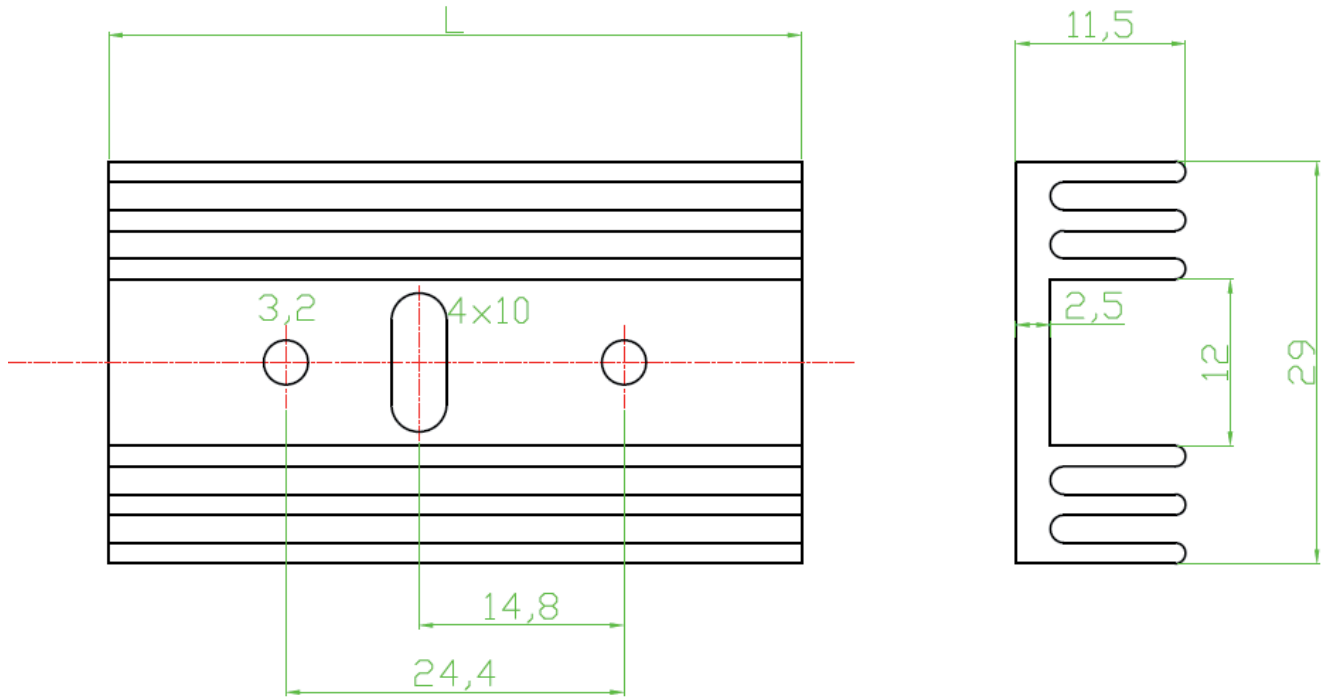


Datasheet

Item no. 1586574

V1_0617_02_EN



RoHS compliant

Material: AlMgSi 0.5

Option	Thermal resistance(K/W)	Hole pattern	L
V4330K	10	KLP	37.5