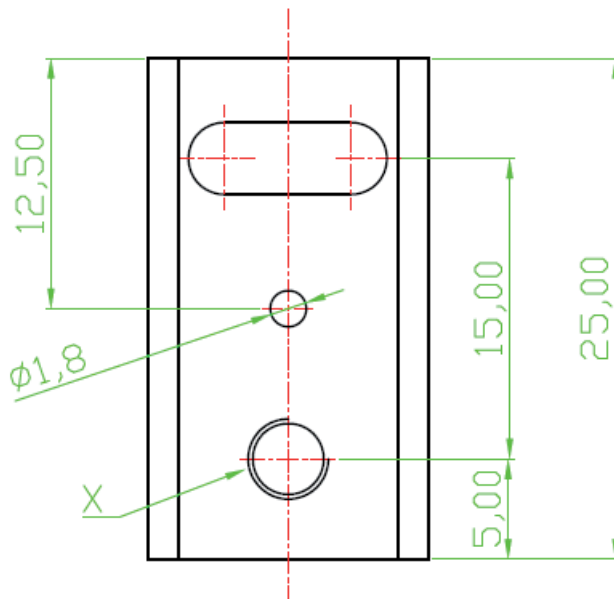
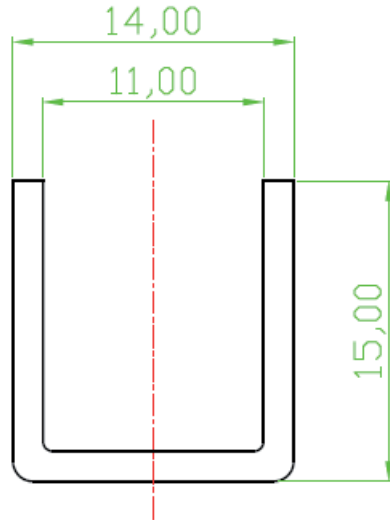


Datasheet

Item no. 1586576

V1_0617_02_EN



RoHS compliant

Notes

Material:AL1050 T=1.5mm

Dimension x	Version	Thermal resistance
M3,0	Black anodized	20