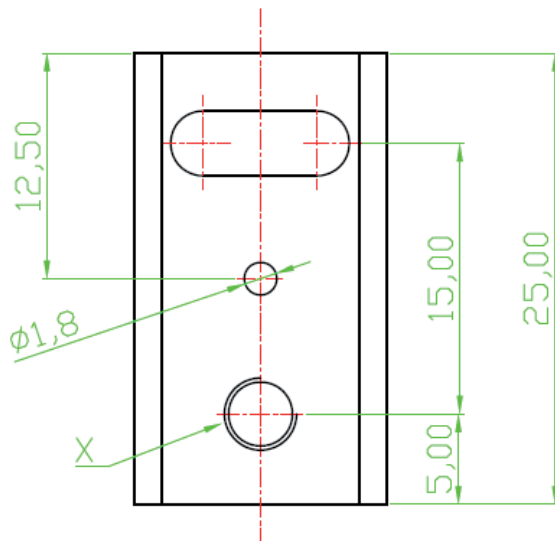
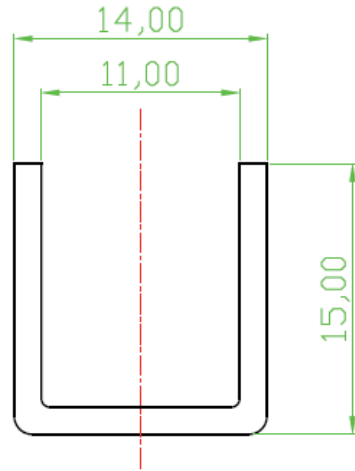


# Datasheet

Item no. 1586577

V1\_0617\_02\_EN



Material:AL1050 T=1.5mm

Dimension x	Version	Thermal resistance
φ3,2	Black anodized	20

**RoHS compliant**