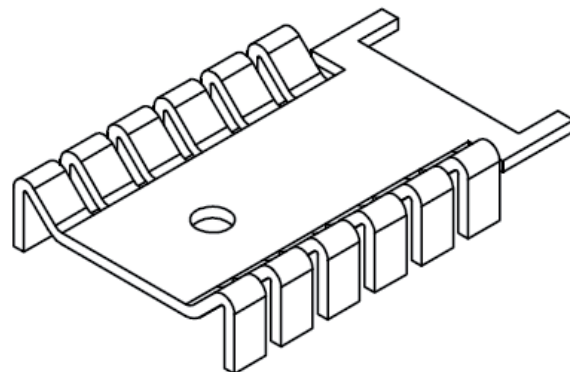
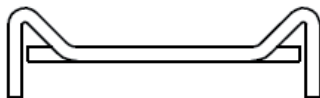
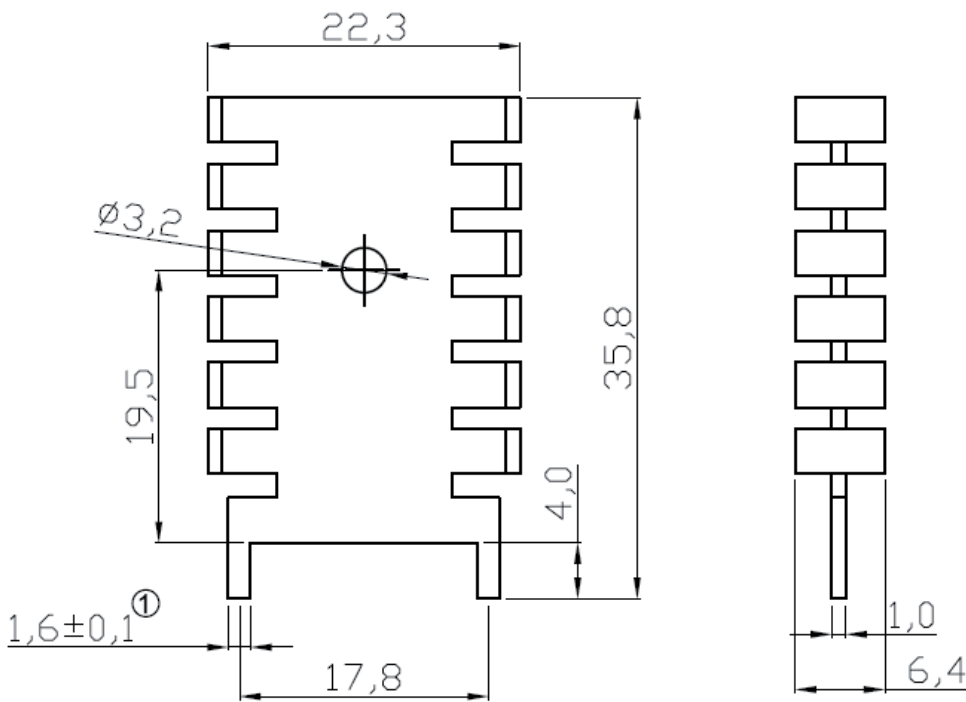
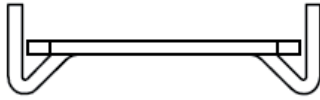


Datasheet

Item no. 1586595

V1_0617_02_EN



Notes

Material: AL 1050, T=1.0mm

Finish Matte Tinned

Scale	1:1
TOLERANCE	
UNIIT	0.25

RoHS compliant
Unit: mm