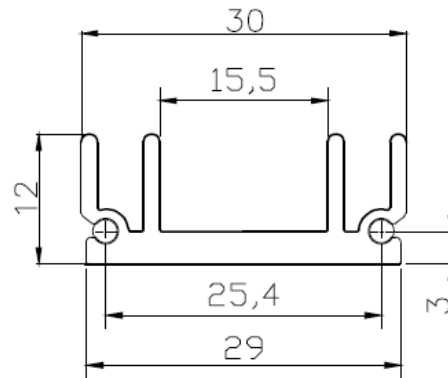
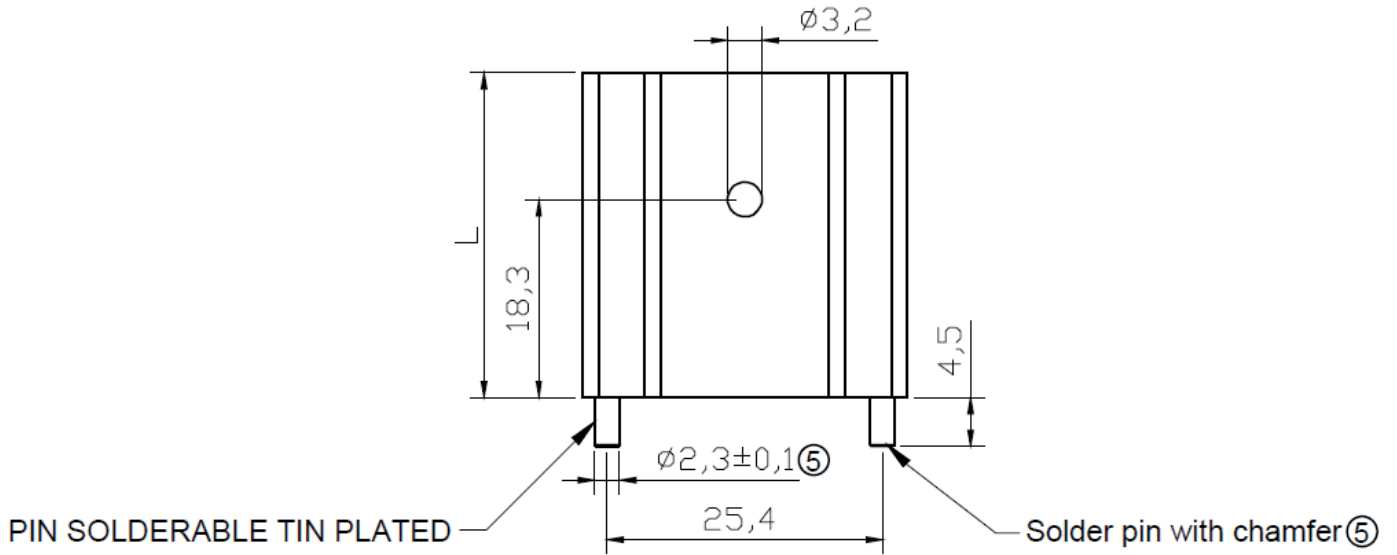


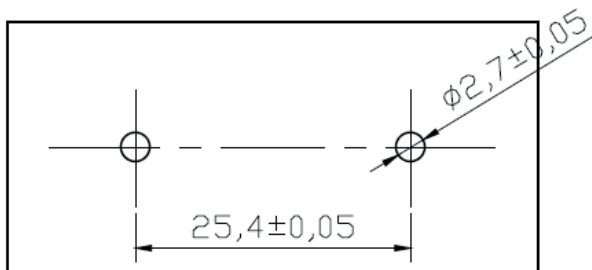
Datasheet

Item no. 1586603

V1_0617_02_EN



| | |
|-----------|------|
| Scale | Free |
| TOLERANCE | |
| X. | ±X |
| X.X | ±X |
| UNIT | ±0.2 |



Recommended PCB Layout

Material:AL 6063 T5
Finish: Black anodize

| L | Thermal resistance(K/W) |
|--------|-------------------------|
| 37.5MM | 8 |

RoHS compliant
Unit: mm