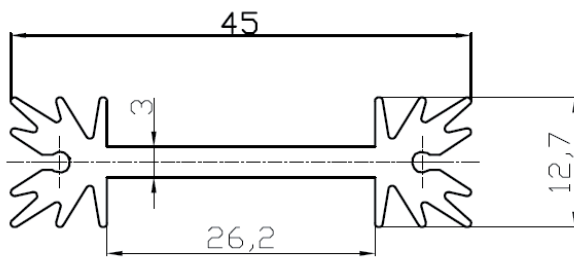
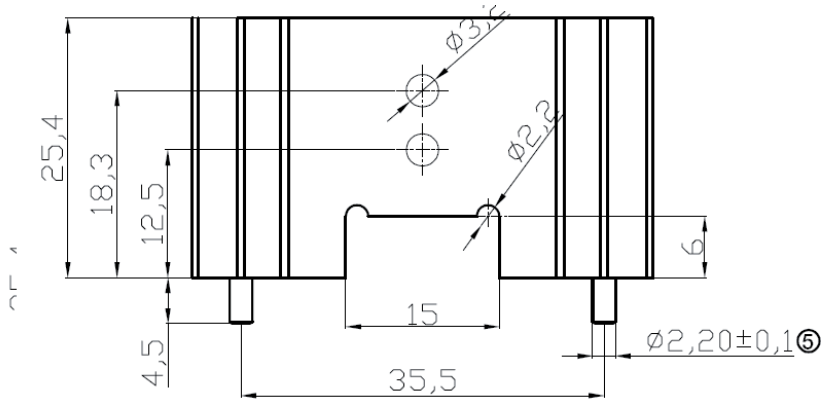


Datasheet

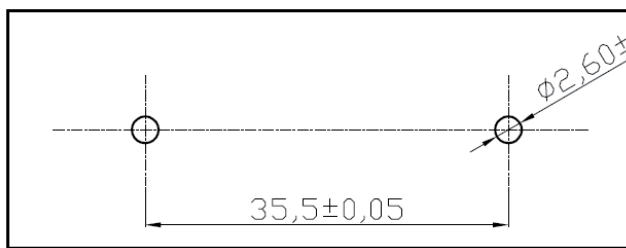
Item no. 1586608

V1_0617_02_EN



Material : AL 6063-T5
 Finished: Black Anozed
 ⑥ Pin: Fe, Tin plated

L	Thermal resistance(K/W)
25.4	8.2



⑤ Recommended PCB Lavout

Scale	FREE
TOLERANCE	
UNIT	±0.2
DIM	Tol
X.°	±X°
X.X°	±X°
Angle	TOL

RoHS compliant
 Unit: mm