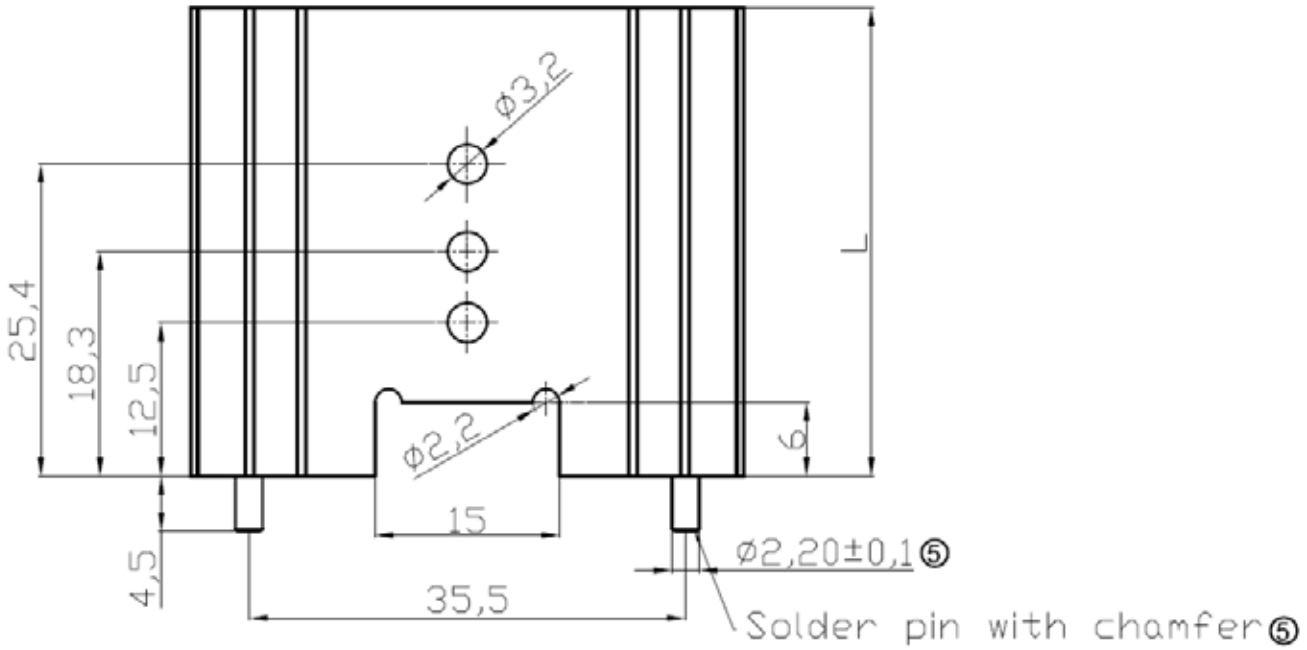


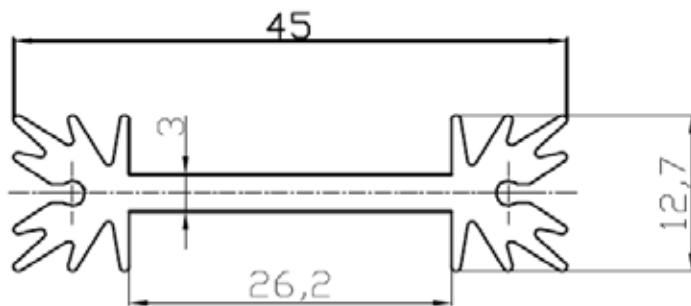
# Datasheet

Item no. 1586609

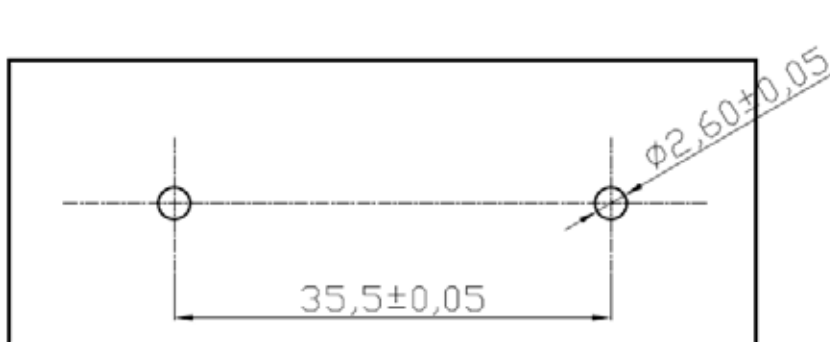
V1\_0617\_02\_EN



Material : AL 6063-T5  
 Finished: Black Anozec  
 ⑥ Pin: Fe, Tin plated



L	Thermal resistance(K/W)
38.1	7



⑤ Recommended PCB Layout

Scale	FREE
TOLERANCE	
UNIT	$\pm 0.2$
DIM	Tol
X.°	$\pm X^\circ$
X.X°	$\pm X^\circ$
Angle	TOL

**RoHS compliant**  
 Unit: mm