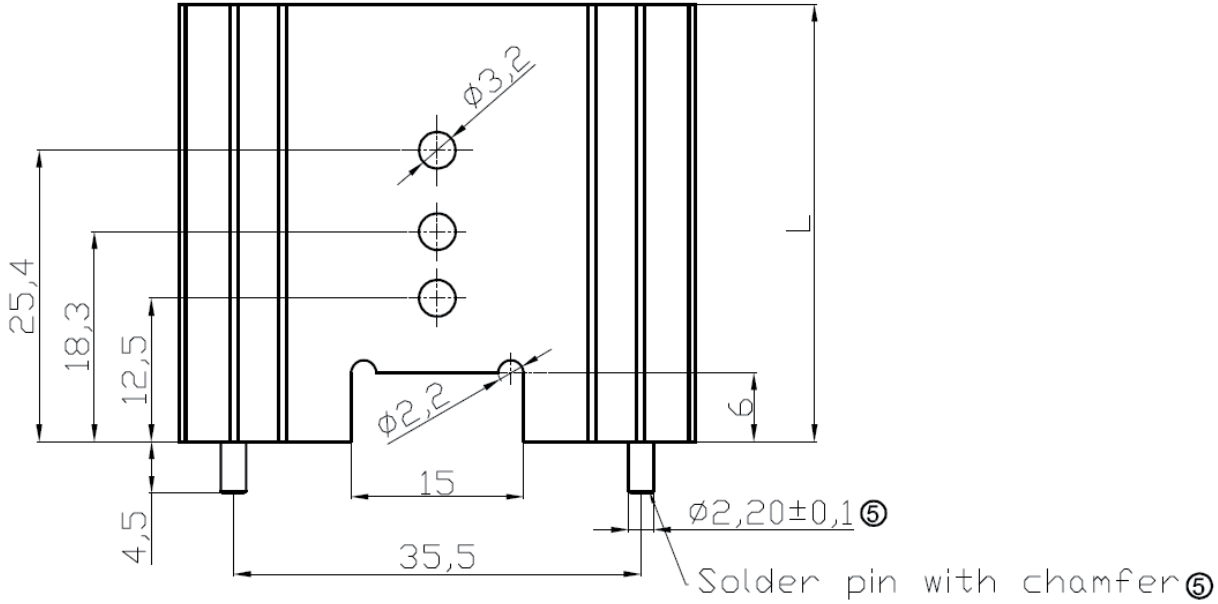


Datasheet

Item no. 1586610

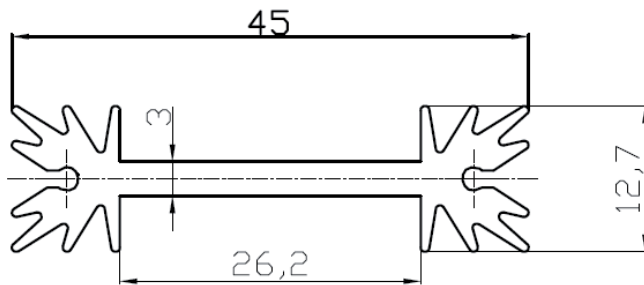
V1_0617_02_EN



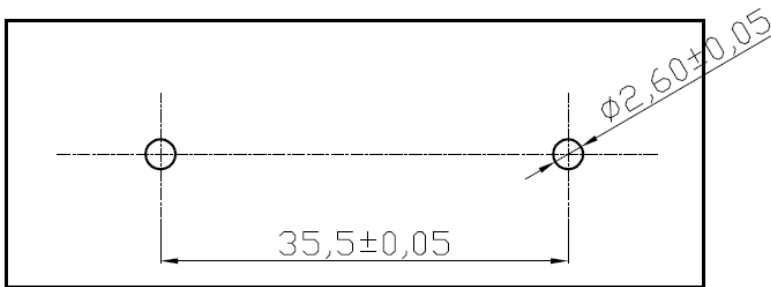
Material : AL 6063-T5

Finished: Black Anozec

⑥ Pin: Fe, Tin plated



L	Thermal resistance(K/W)
50.8	6.2



⑤ Recommended PCB Layout

Scale	FREE
TOLERANCE	
UNIT	$\pm 0,2$
DIM	Tol
X.°	$\pm X^\circ$
X.X°	$\pm X^\circ$
Angle	TOL

RoHS compliant
Unit: mm