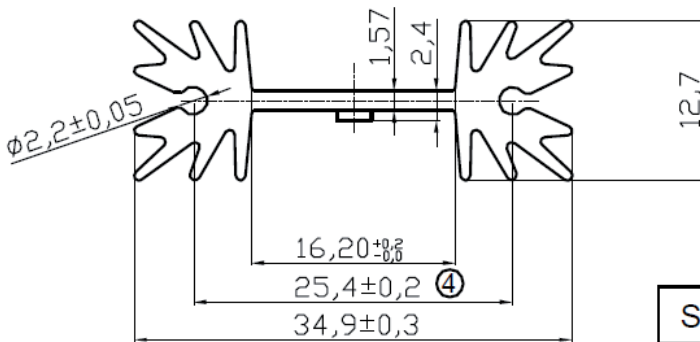
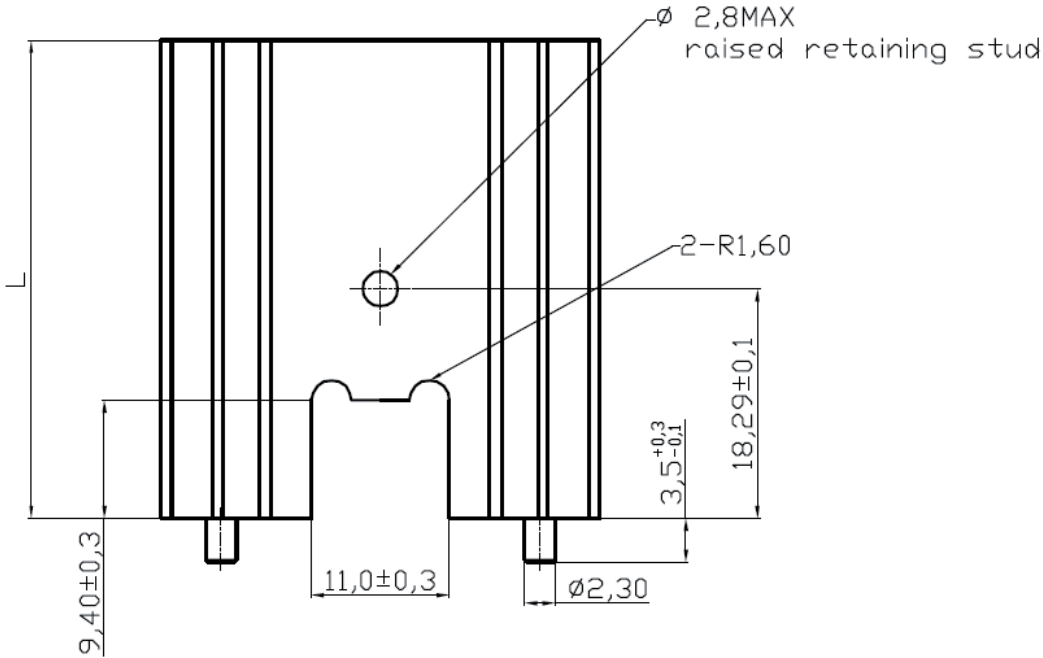


Datasheet

Item no. 1586612

V1_0617_02_EN



Material : AL 6063-T5
 PIN: CRS TIN PLATED
 Finished: Black anozed
 Unmarked round angle R is 5mm.

L	Thermal resistance(K/W)
25.4	14

Scale	FREE
TOLERANCE	
X.	$\pm X$
X.X	$\pm X$
UNIT	± 0.2
DIM	Tol
X.°	$\pm X^\circ$
X.X°	$\pm X^\circ$
Angle	TOL

RoHS compliant
 Unit: mm