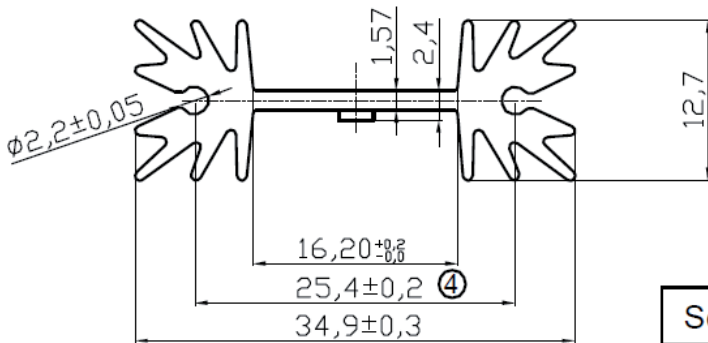
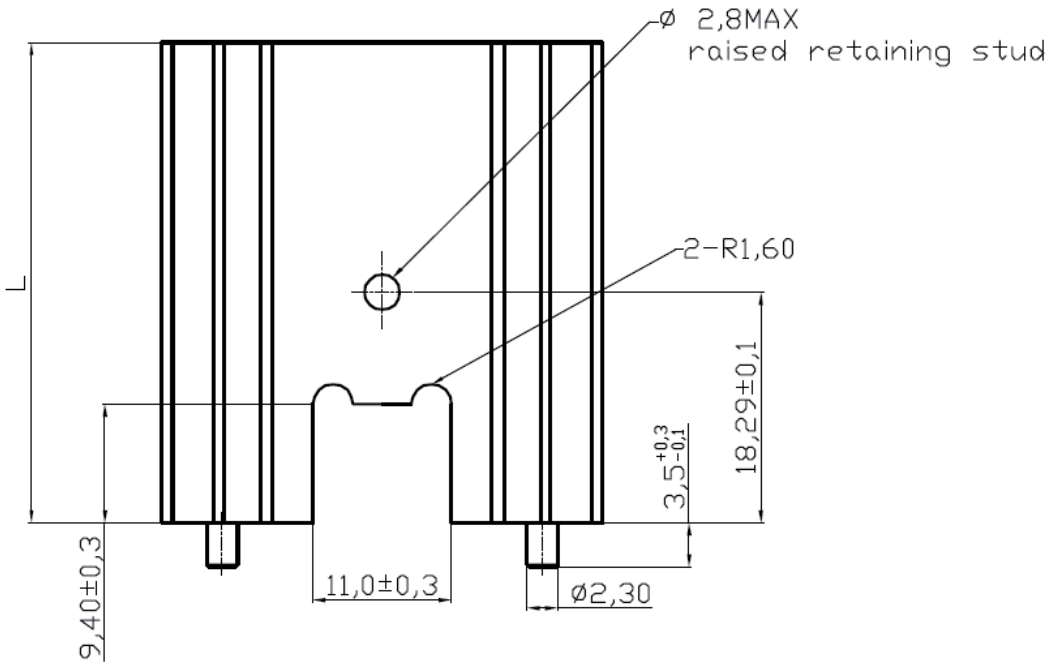


# Datasheet

Item no. 1586614

V1\_0617\_02\_EN



Material : AL 6063-T5  
 PIN: CRS TIN PLATED  
 Finished: Black anozied  
 Unmarked round angle R is 5mm.

L	Thermal resistance(K/W)
38.1	11

Scale	FREE
TOLERANCE	
X.	$\pm X$
X.X	$\pm X$
UNIT	$\pm 0.2$
DIM	Tol
X.°	$\pm X^\circ$
X.X°	$\pm X^\circ$
Angle	TOL

**RoHS compliant**  
 Unit: mm