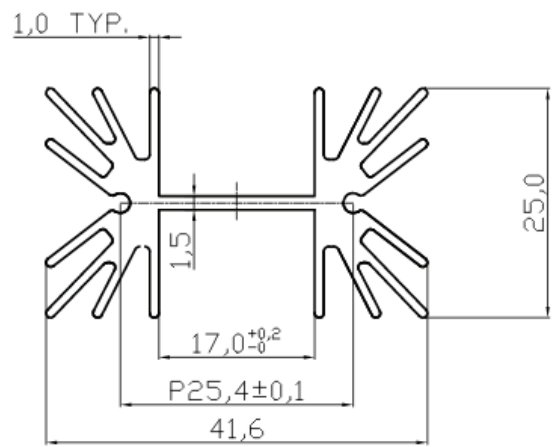
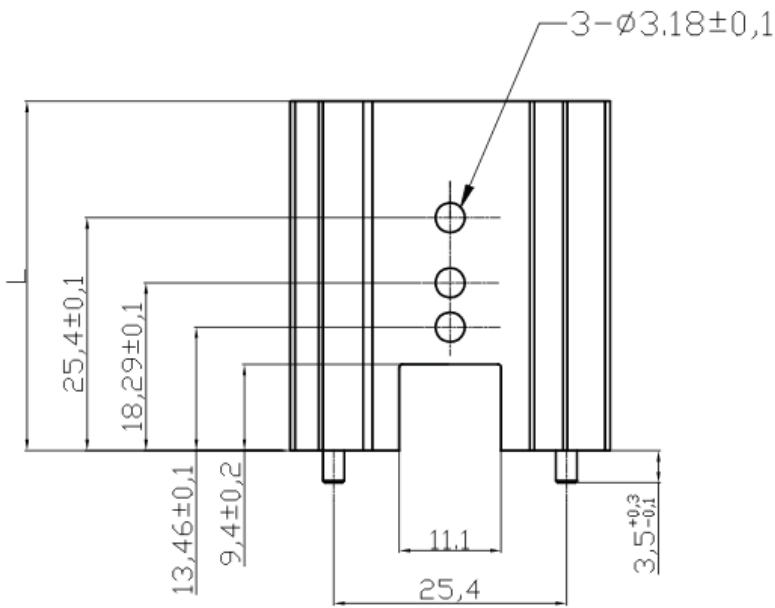


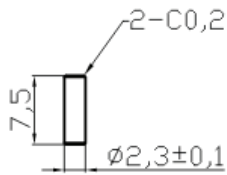
Datasheet

Item no. 1586625

V1_0617_02_EN



Material :AL 6063-T5
Finished : Black anodize



PIN

Option	L	Thermal resistance(K/W)
V8511Y	50.8	4

RoHS compliant
Unit: mm