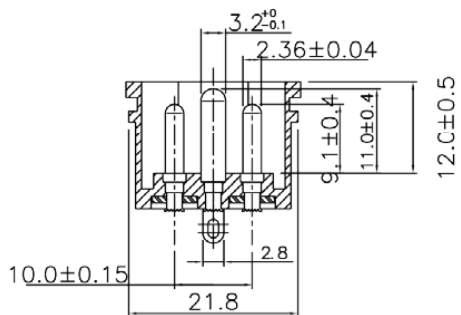
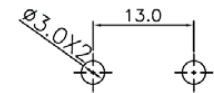
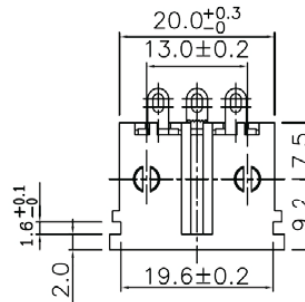
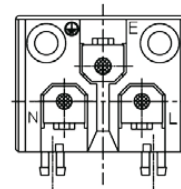
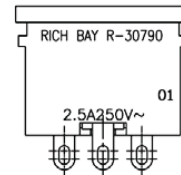


B-B SECTION



A-A SECTION



P.C.B Layout

**SPECIFICATION:**

1. INSULATION RESISTANCE: OVER 100MΩ 500V DC.
2. DIELECTRIC STRENGTH: 2000V AC ONE MINUTE.
3. Body Materil: Black Glass-Filled Thermoplastic . UL 94V-2~0

Rating: AC 2.5A 250V	
Mark	Safety Regulation
cULus	cULus
CCC	CCC
VDE	VDE
ENEC	ENEC