
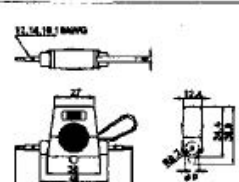


Fuse Holder, 30A 12AWG for blade fuse with red LED

FUSE HOLDER

GRATING	WIRE GAUGE
A 30A 12/24V DC	12AWG
B 20A 12/24V DC	14AWG
C 15A 12/24V DC	16AWG
D 10A 12/24V DC	18AWG


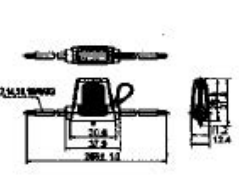
FEATURES:

- Material:
 - Body : PVC(T105C)
 - Terminal : tin plated brass.
- In-line fuse holder.
- With LED warning light when fuse is burned.
- Waterproof.
- None polarity limited.

WIRE

BLADE FUSE

R3-60

GRATING	WIRE GAUGE
A 30A 12/24V DC	12AWG
B 20A 12/24V DC	14AWG
C 15A 12/24V DC	16AWG
D 10A 12/24V DC	18AWG

FEATURES:

- Material:
 - Body : PVC(T105C).
 - Terminal : tin plated brass.
- In-line fuse holder.
- With LED warning light when fuse is burned.
- Waterproof.
- None polarity limited.

WIRE

MINI BLADE FUSE


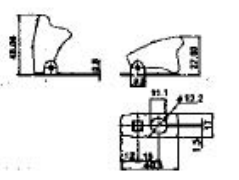
R9-122 ALLIGATOR CLIPS




FEATURES:

- Material:
 - Handle: ABS.
 - Clip: nickel plated brass.
- Alligator clip with 2mm socket.

R17-10 SAFETY COVER

FEATURES:

- Material:
 - Body : red melamine.
 - Face plate : steel with black glossy finish.
- Mounting hole diameter: 12.2 (0.481").
- Accepts switches with standard 12.0mm or 15/32" diameter mounting stems.
- Accepts standard 17.5mm (11/16") switch handles.

Ø 12.2

Unit: mm