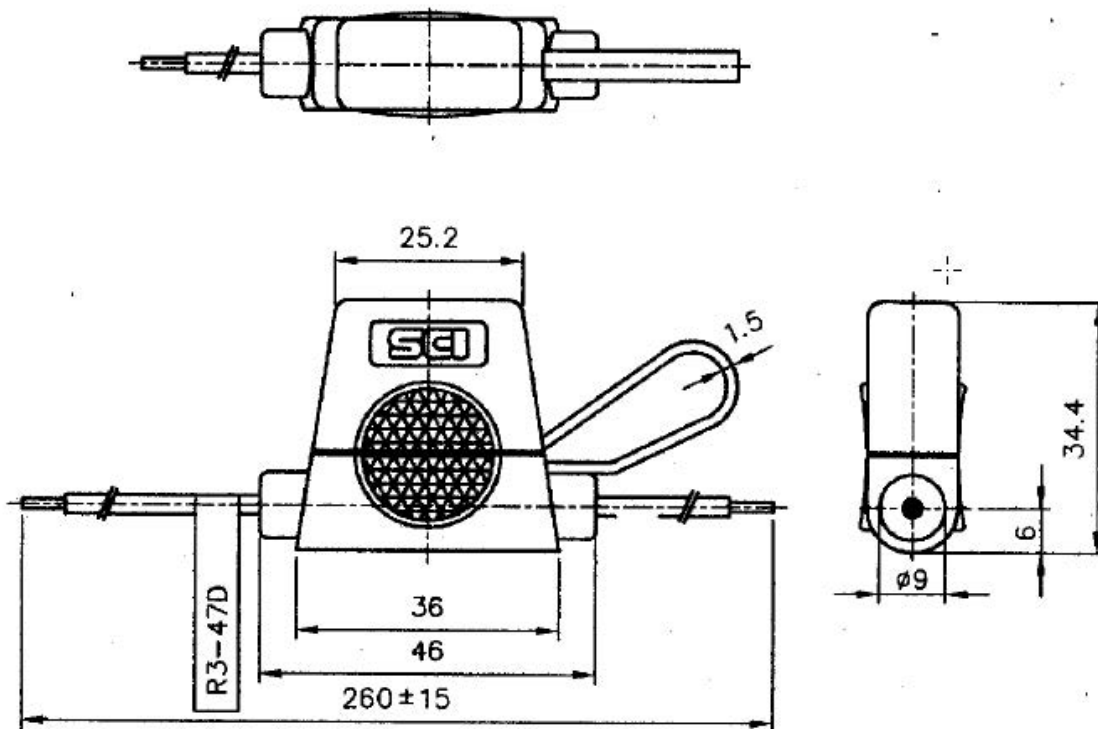


Fuse Holder, 30A32VDC 12AWG Red colour



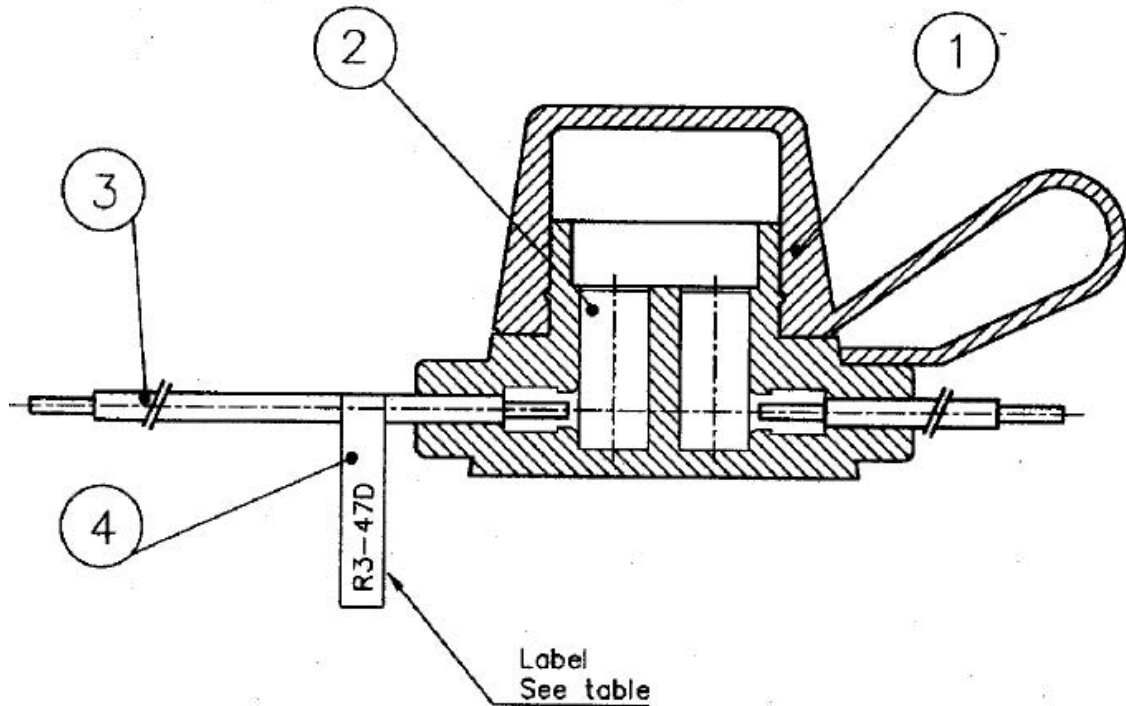
Unit: mm

TYPE	UL 1015 WIRE	RATING	WIRE COLOR
A	12AWG	30A 32V DC	Green Δ
B	14AWG	20A 32V DC	Yellow Δ
C	16AWG	15A 32V DC	Blue Δ
D	18AWG	10A 32V DC	Red

Datasheet

Item no. 1587493

V1_0717_01_en



TYPE	UL 1015 WIRE	RATING	WIRE COLOR
A	12AWG	30A 32V DC	Green Δ
B	14AWG	20A 32V DC	Yellow Δ
C	16AWG	15A 32V DC	Blue Δ
D	18AWG	10A 32V DC	Red

4	Label	1	See table			
3	Wire	2	See table			
2	Terminal	2	Copper alloy		Sn-plating	
1	Housing	1	PVC45% 105°			
No	Description	Q'ty	Material	Spec	Finish	Thickness

This is a publication by Conrad Electronic SE, Klaus-Conrad-Str. 1, D-92240 Hirschau (www.conrad.com).

All rights including translation reserved. Reproduction by any method, e.g. photocopy, microfilming, or the capture in electronic data processing systems require the prior written approval by the editor. Reprinting, also in part, is prohibited. This publication represents the technical status at the time of printing.

© Copyright 2017 by Conrad Electronic SE.