
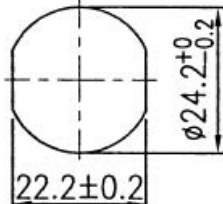
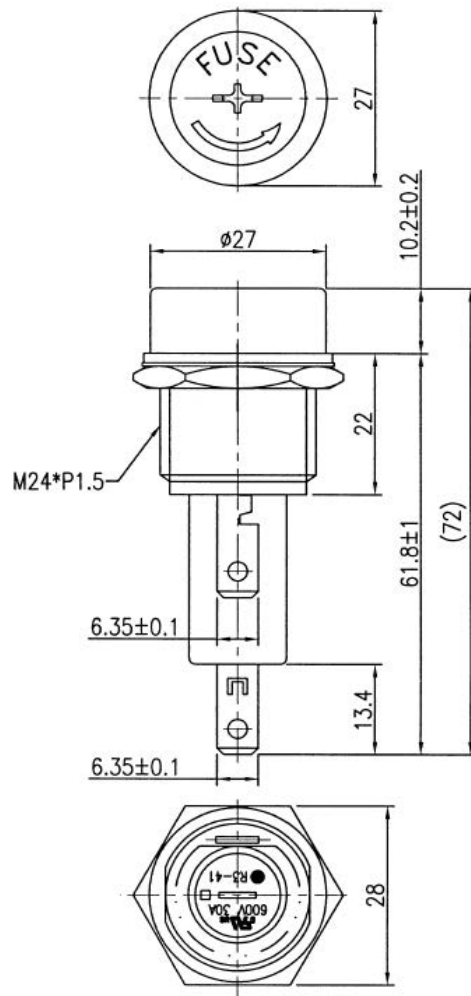


Fuse Holder, 30A600VAC Screw type

Rating	30A 600V AC 	Mounting Hole 
Insulation Resistance	DC 500V 100M ohm Min	
Dielectric Strength	AC 3000V 1 Minute	
Fuse Size	∅10.3*38.1	



Unit: mm

Tolerances Unless Otherwise Specified ±0.3

This is a publication by Conrad Electronic SE, Klaus-Conrad-Str. 1, D-92240 Hirschau (www.conrad.com).

All rights including translation reserved. Reproduction by any method, e.g. photocopy, microfilming, or the capture in electronic data processing systems require the prior written approval by the editor. Reprinting, also in part, is prohibited. This publication represents the technical status at the time of printing.

© Copyright 2017 by Conrad Electronic SE.