
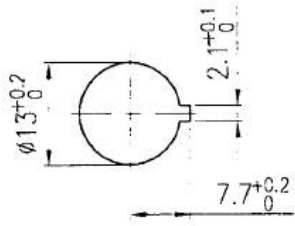
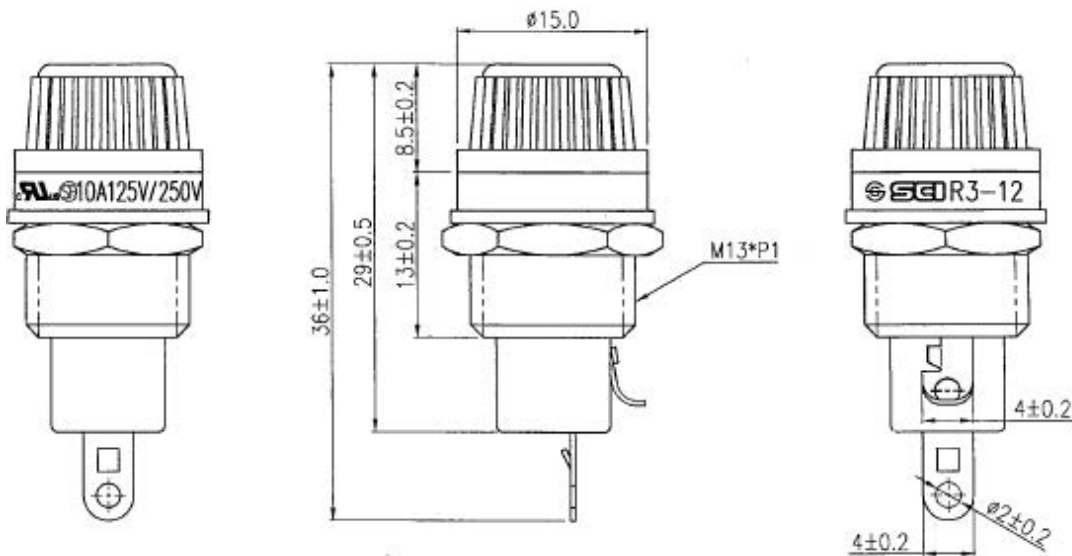


Fuse Holder, 10A/ 250VAC Screw type

Rating	10A 125V/250V AC 	
Insulation Resistance	DC 500V 100M ohm Min	
Dielectric Strength	AC 1500V 1 minute	
Fuse Size	ø5.0*20mm	

Material:
Housing: Black,PF
Top cap: Black, PF
Terminals: Nickel Plated Brass



Unit: mm

Tolerances ±0.3 Unless Otherwise Specified

This is a publication by Conrad Electronic SE, Klaus-Conrad-Str. 1, D-92240 Hirschau (www.conrad.com).

All rights including translation reserved. Reproduction by any method, e.g. photocopy, microfilming, or the capture in electronic data processing systems require the prior written approval by the editor. Reprinting, also in part, is prohibited. This publication represents the technical status at the time of printing.

© Copyright 2017 by Conrad Electronic SE.